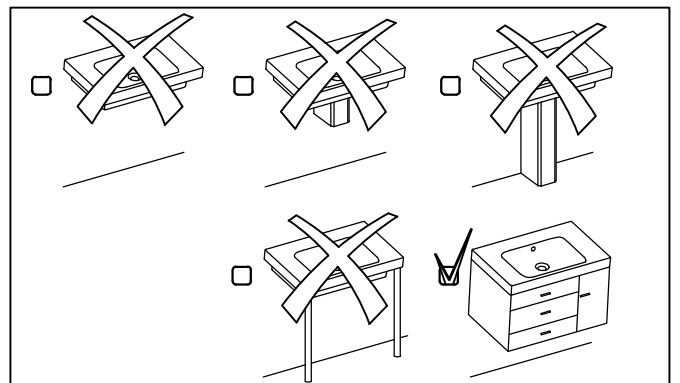
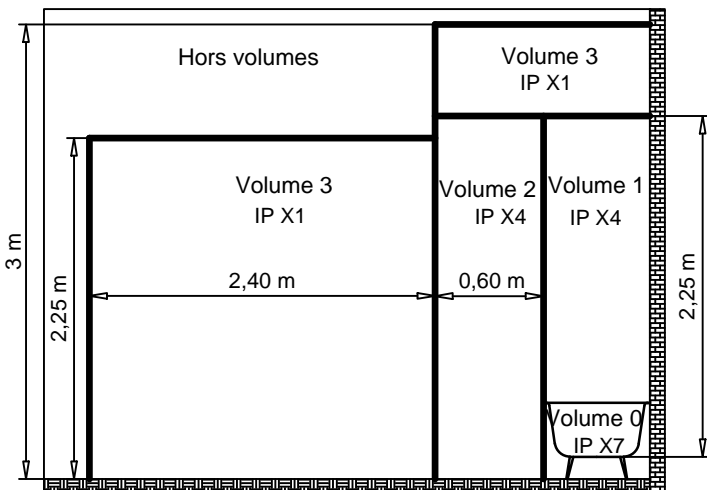
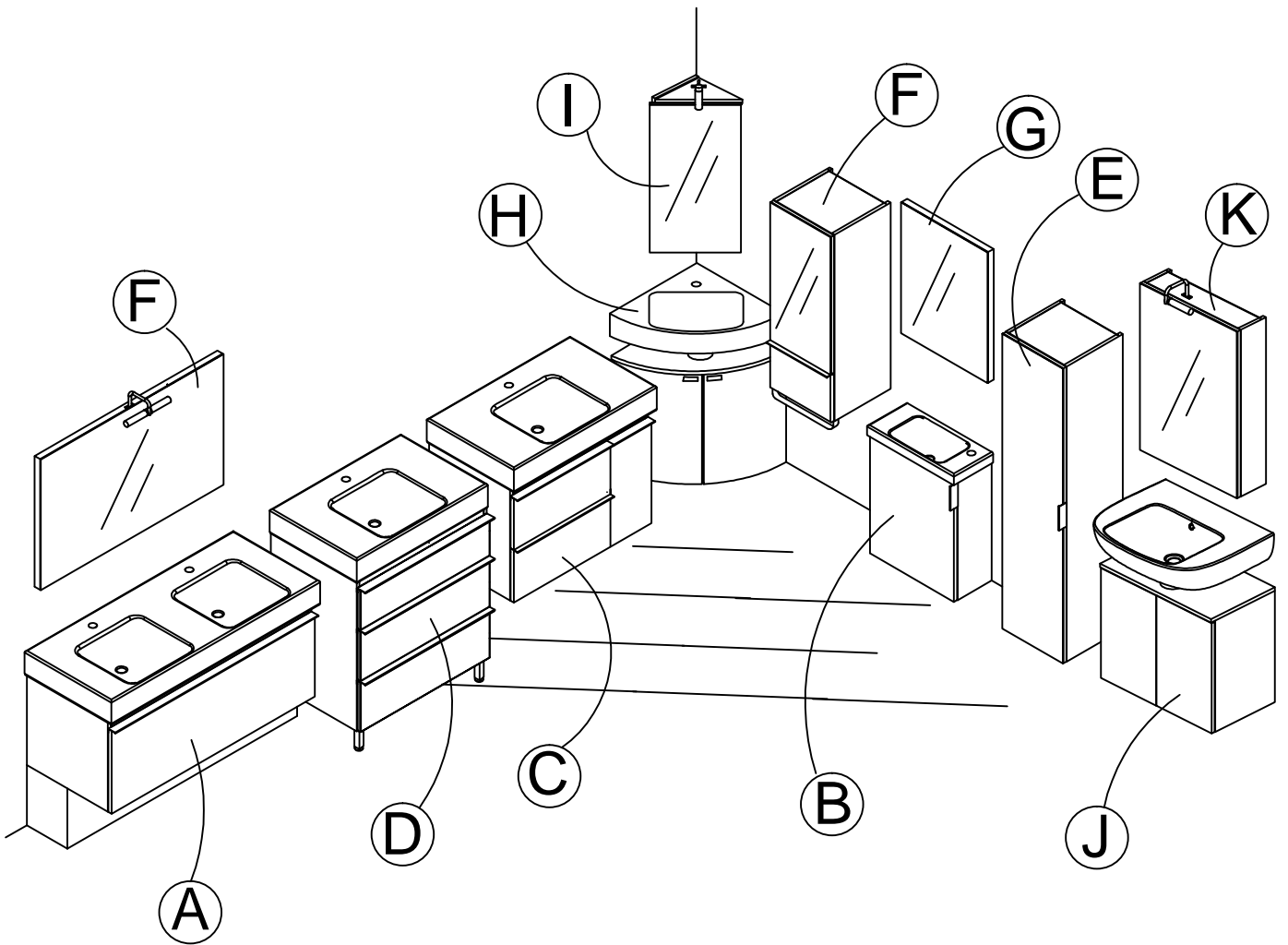
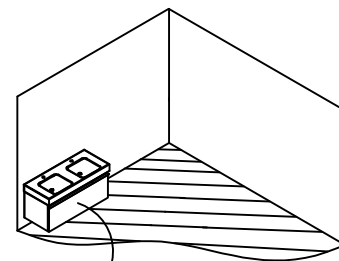
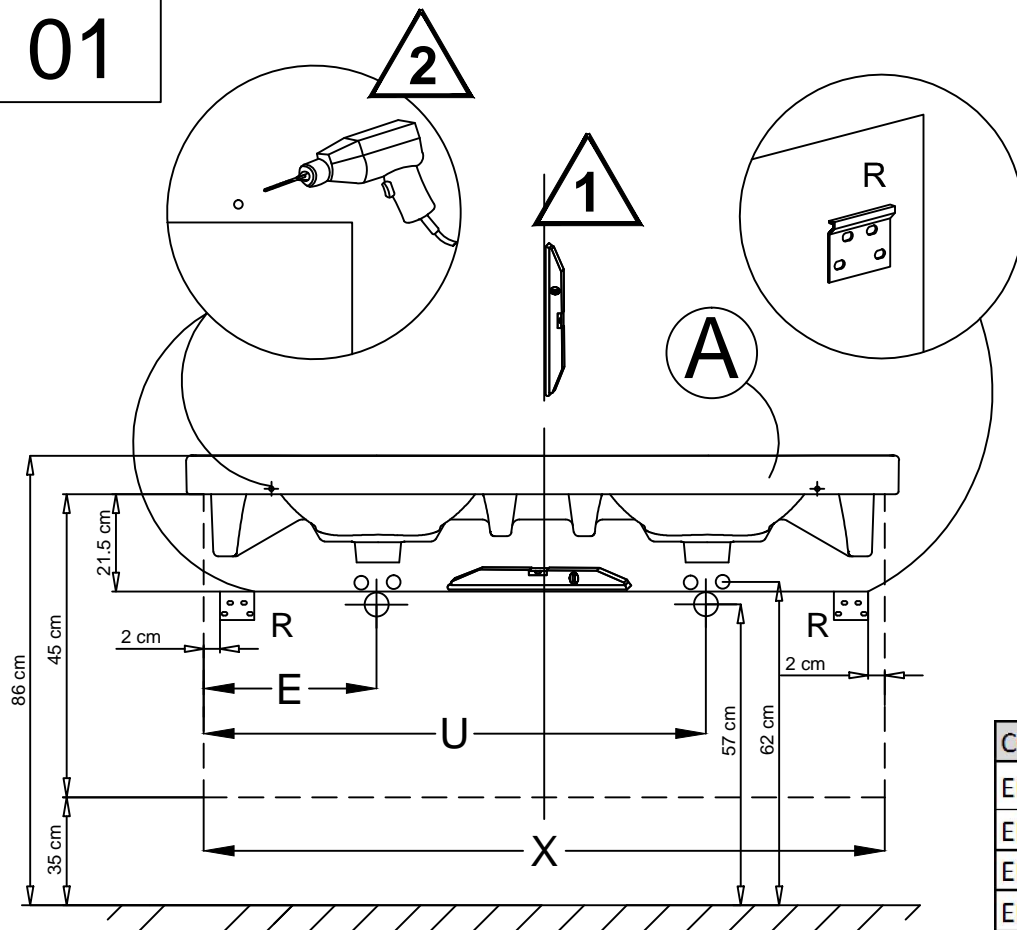


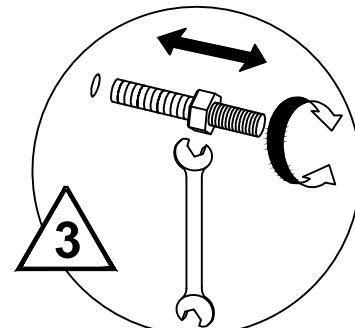
ODEON UP
 3009316
 07/04/06-06-24/10/12



01

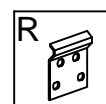
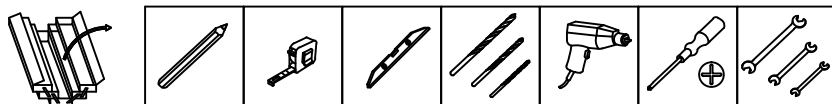


A

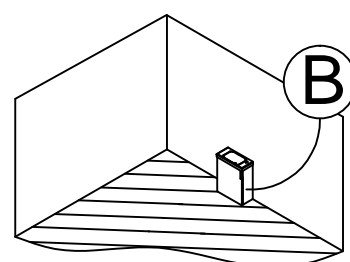
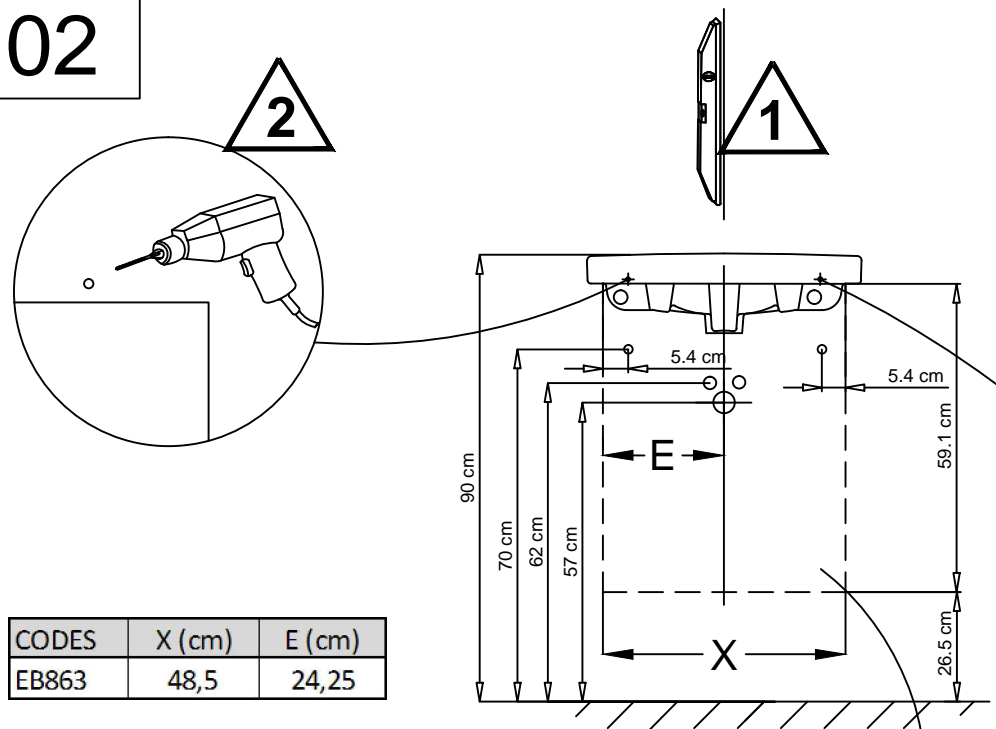


3

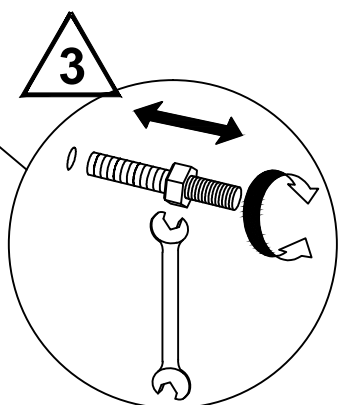
| CODES | X (cm) | E (cm) | U (cm) |
|-------|--------|---------|--------|
| EB877 | 57 | 28,5 | X |
| EB886 | 62 | 21 / 41 | X |
| EB860 | 67 | 33,5 | X |
| EB894 | 77 | 38,5 | X |
| EB883 | 102 | 51 | X |
| EB887 | 117 | 30,5 | 86,5 |



02

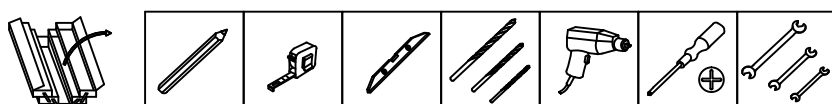


B



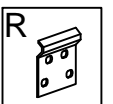
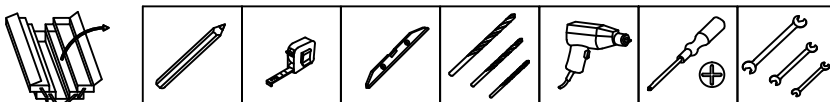
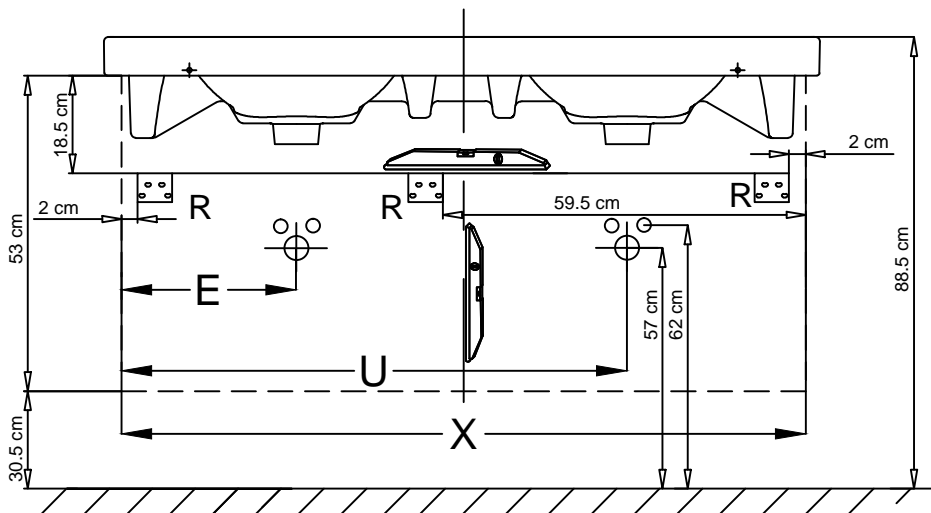
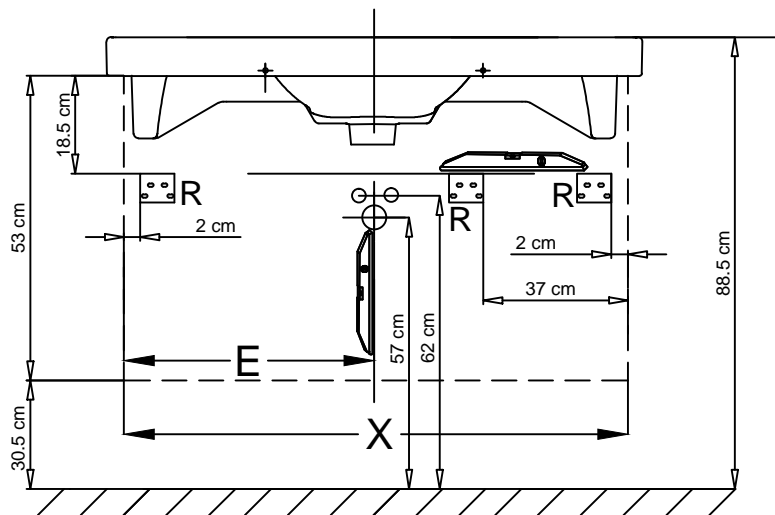
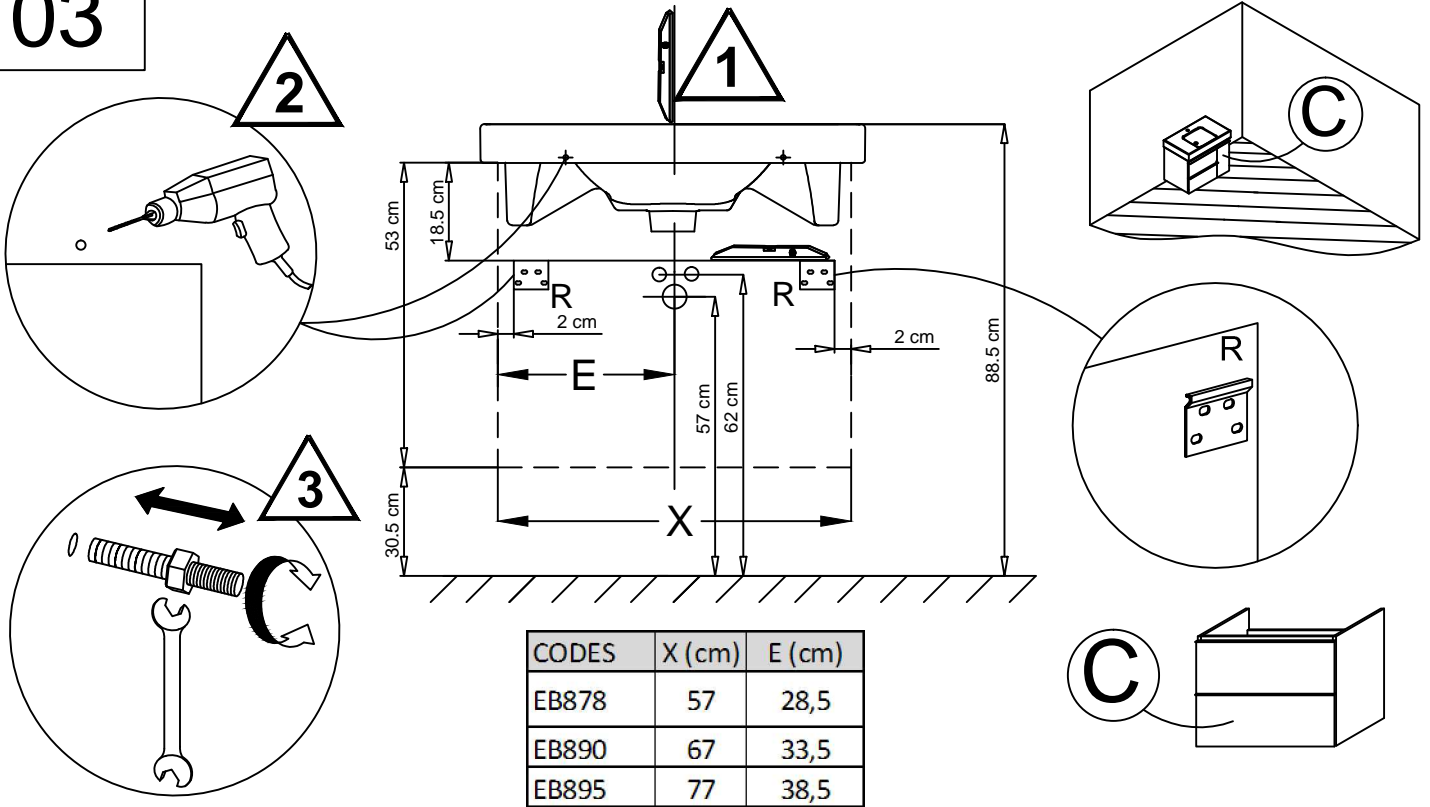
3

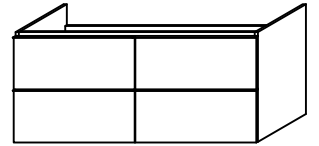
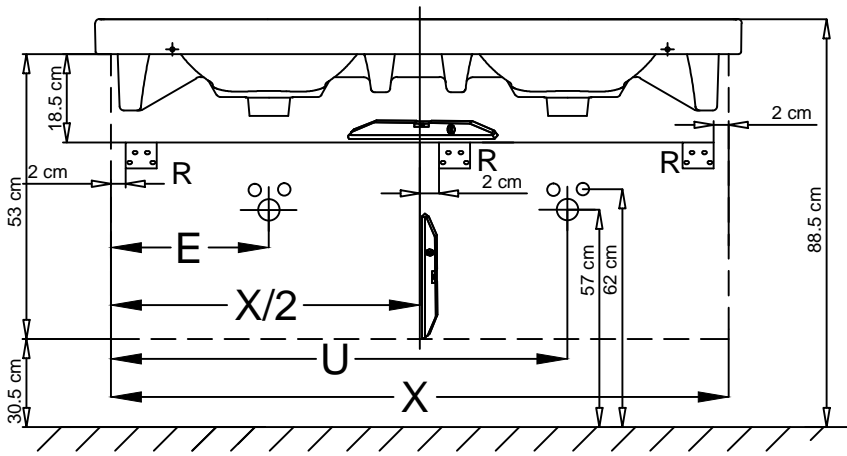
| CODES | X (cm) | E (cm) |
|-------|--------|--------|
| EB863 | 48,5 | 24,25 |



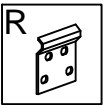
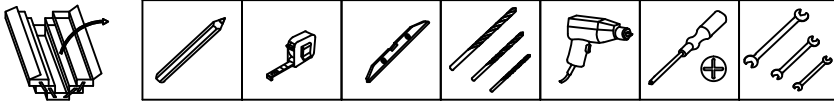
B

03

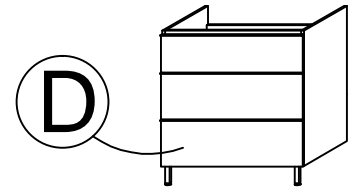
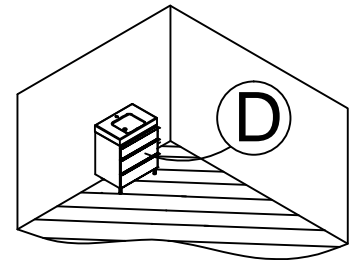
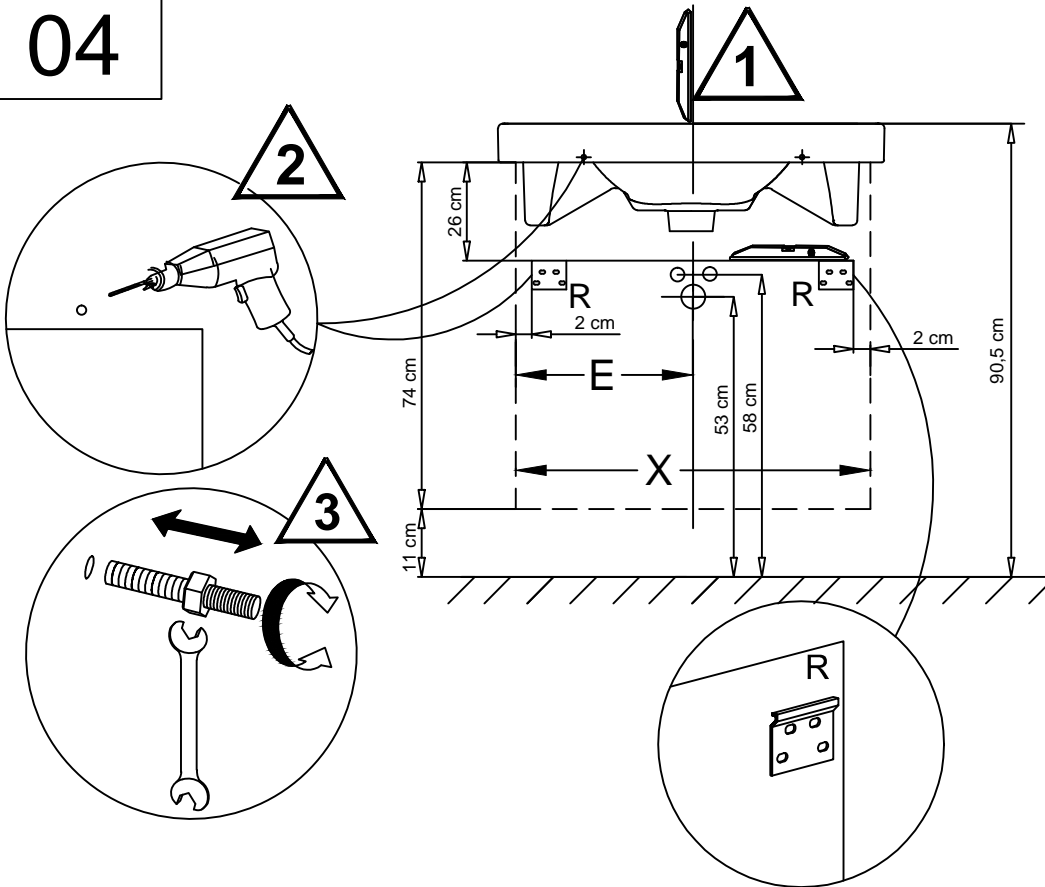




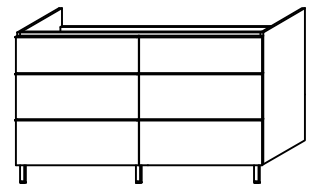
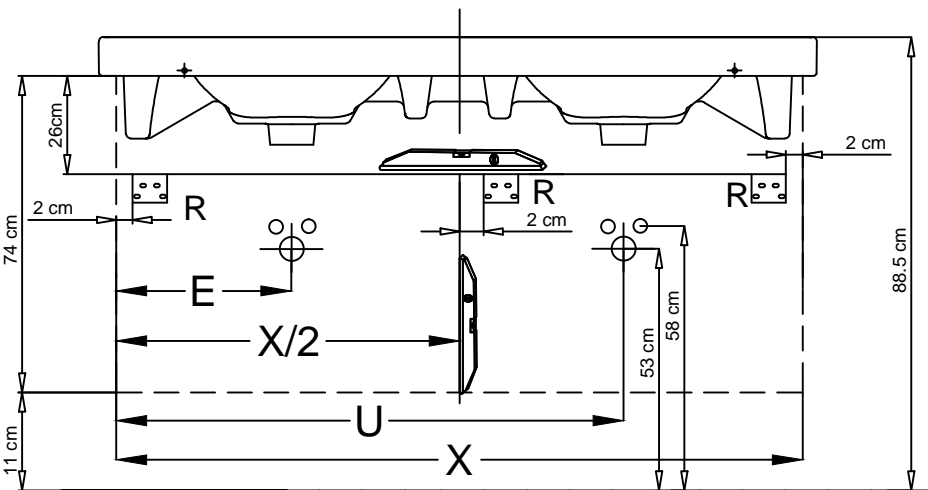
| CODES | X (cm) | E (cm) | U (cm) |
|-------|--------|--------|--------|
| EB997 | 137 | 34,5 | 102,5 |



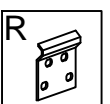
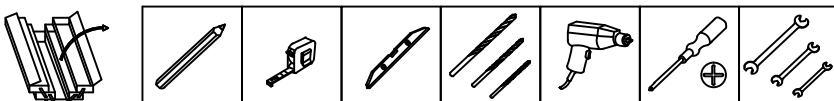
04



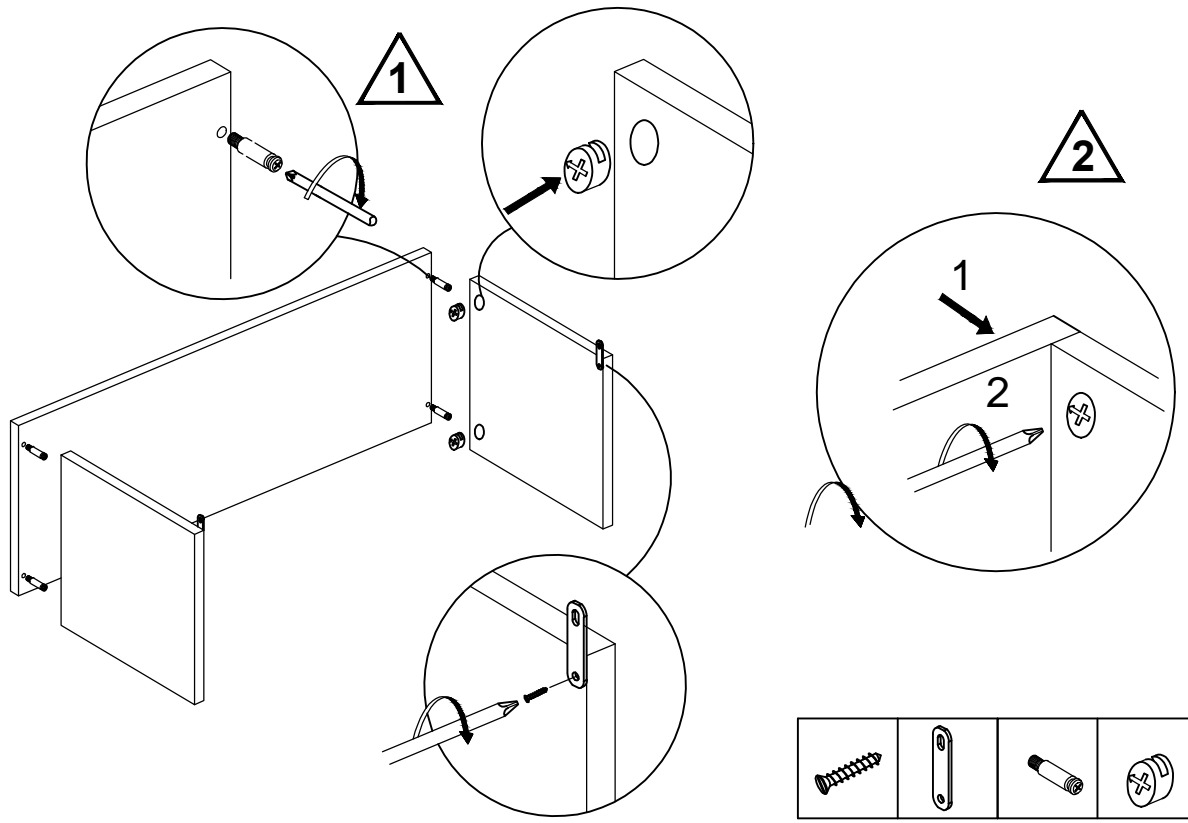
| CODES | X (cm) | E (cm) |
|--------|--------|--------|
| EB990 | 57 | 28,5 |
| EB991G | 62 | 21 |
| EB991D | 62 | 41 |
| EB992 | 67 | 33,5 |
| EB993 | 77 | 38,5 |
| EB994 | 102 | 51 |



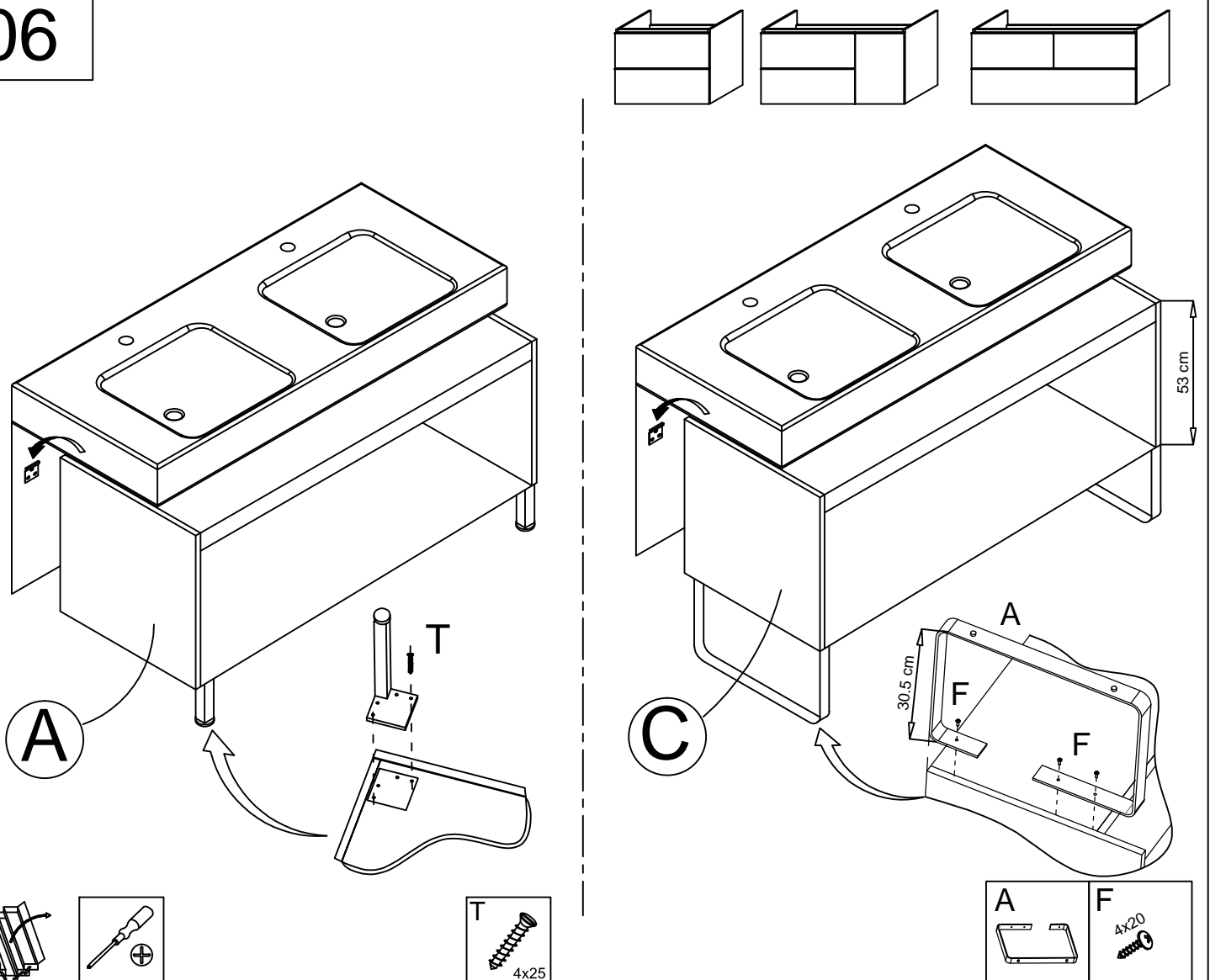
| CODES | X (cm) | E (cm) | U (cm) |
|-------|--------|--------|--------|
| EB995 | 117 | 29,5 | 87,5 |
| EB996 | 137 | 34,5 | 102,5 |



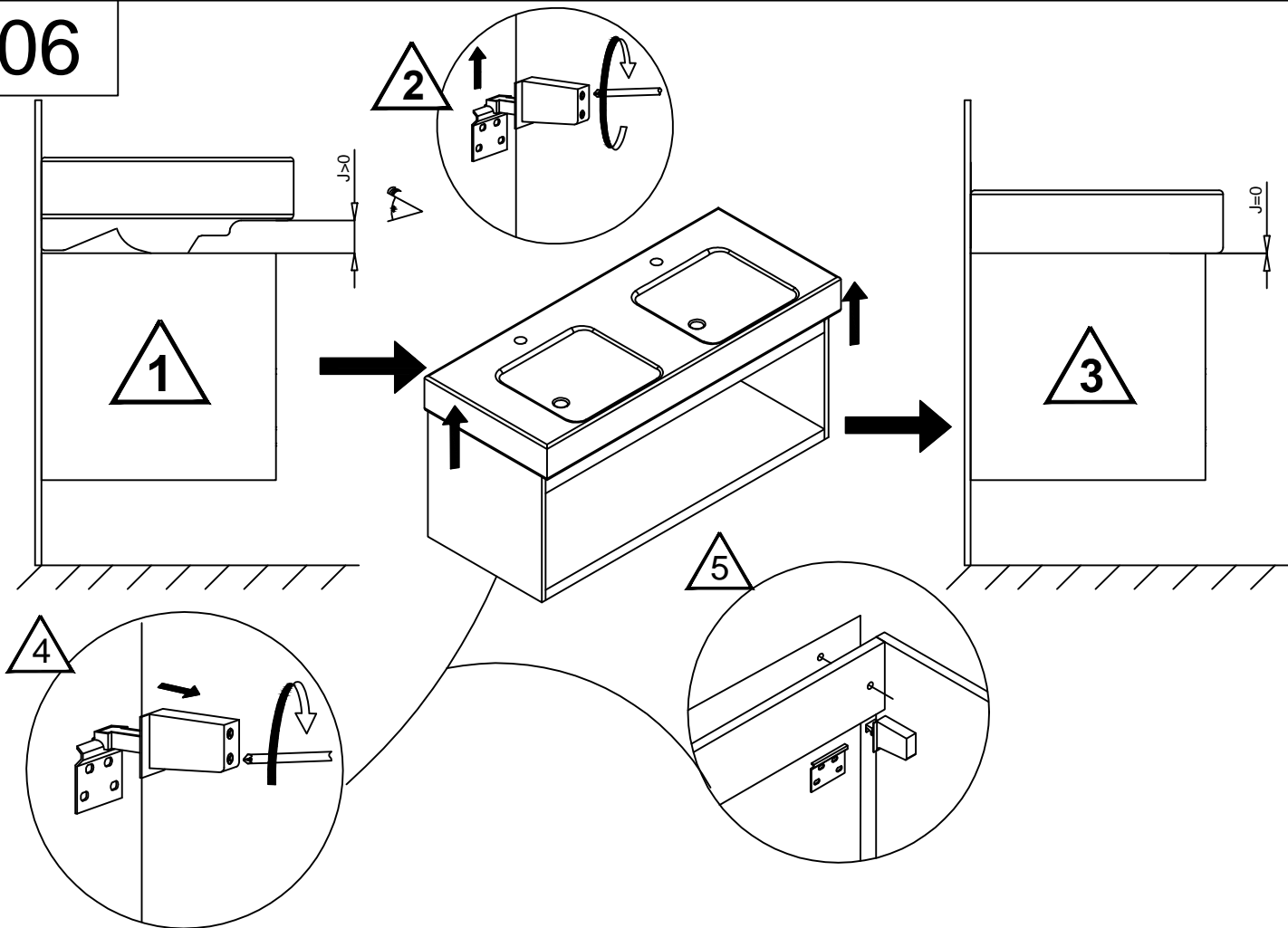
05



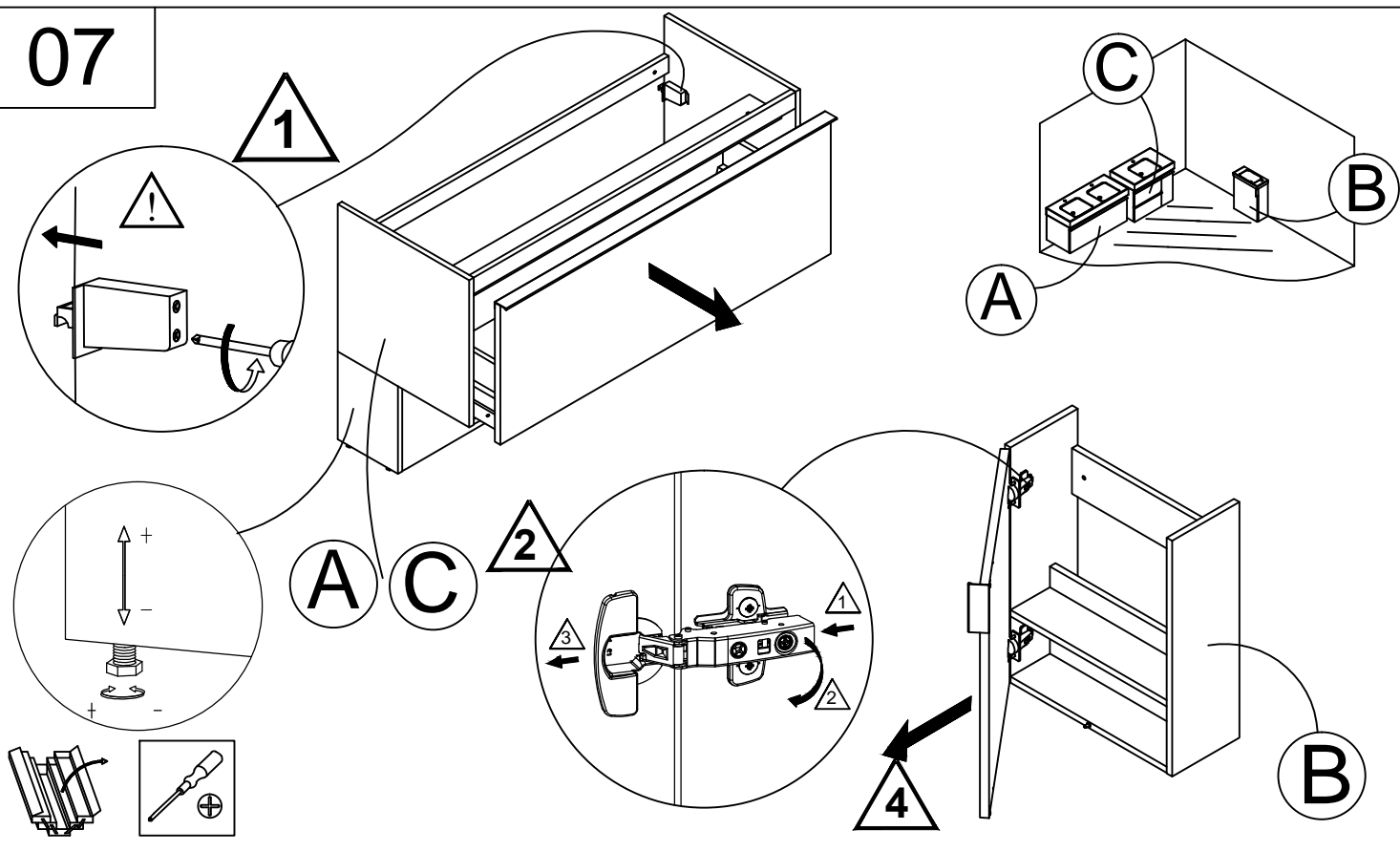
06



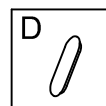
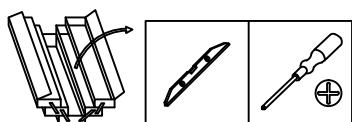
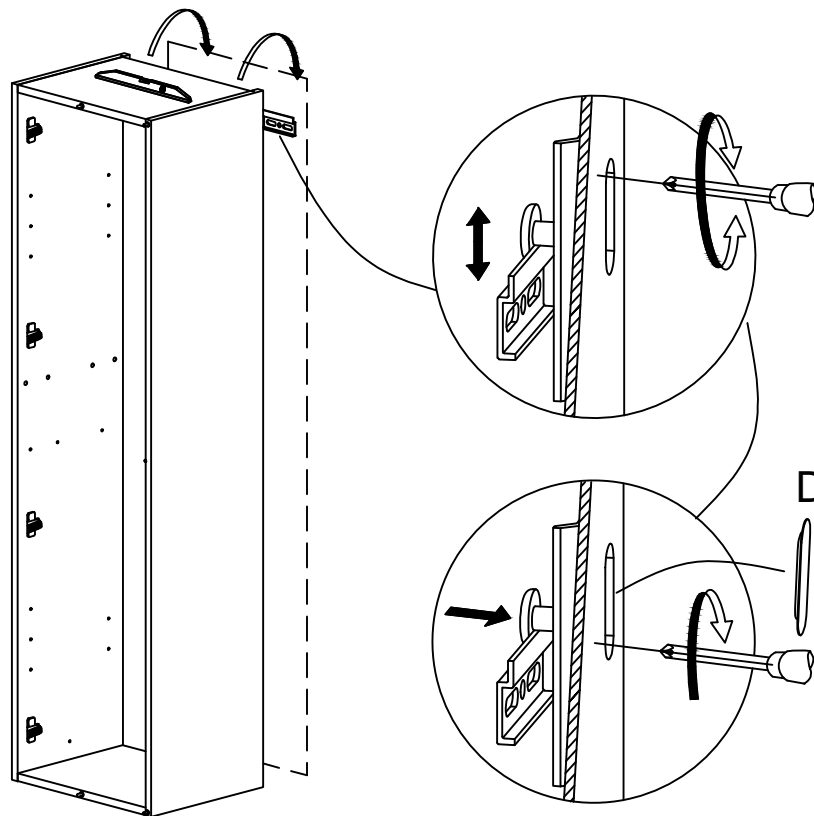
06



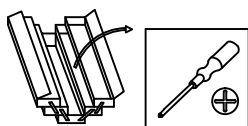
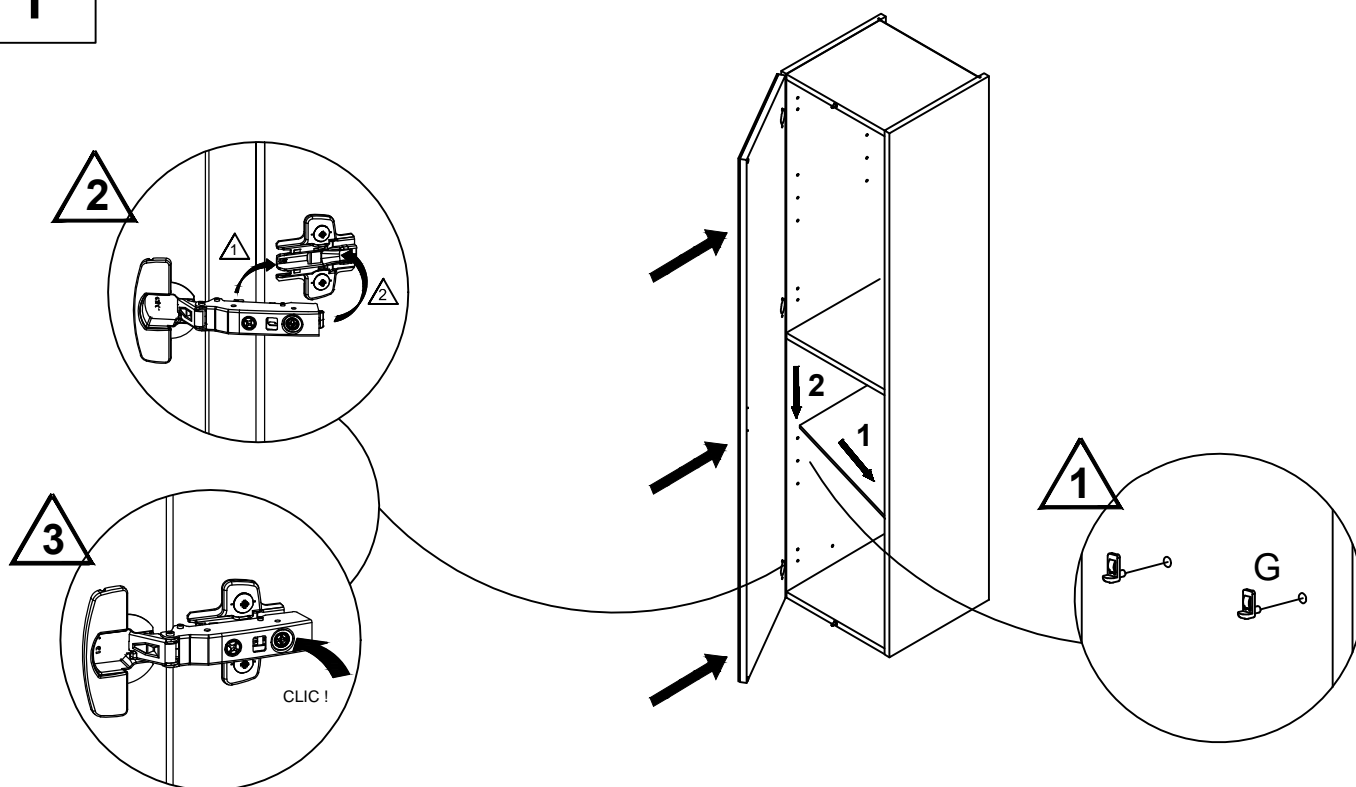
07



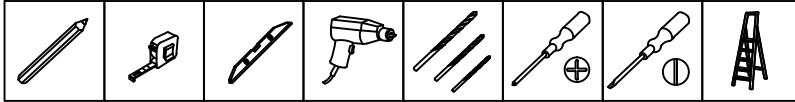
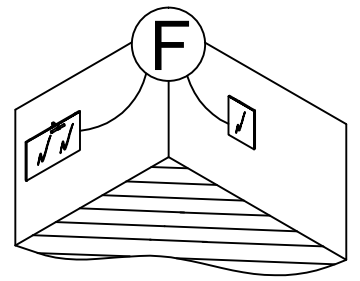
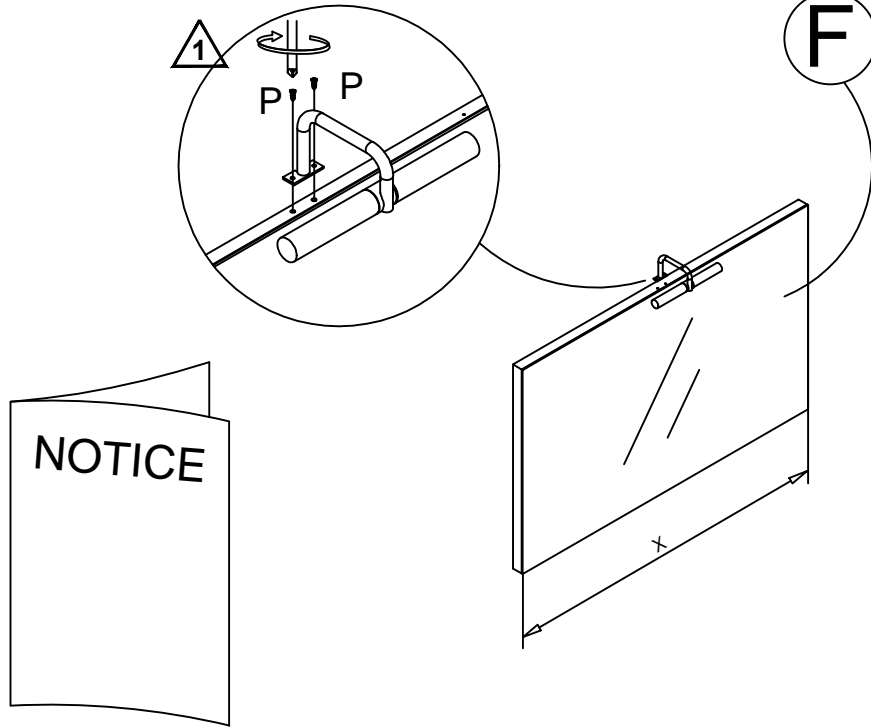
10



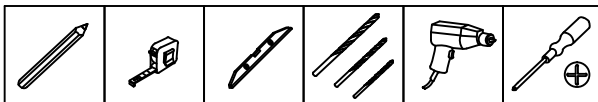
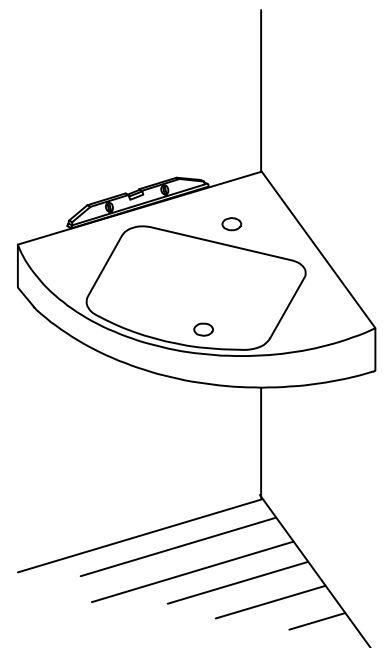
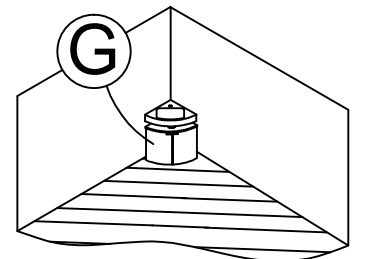
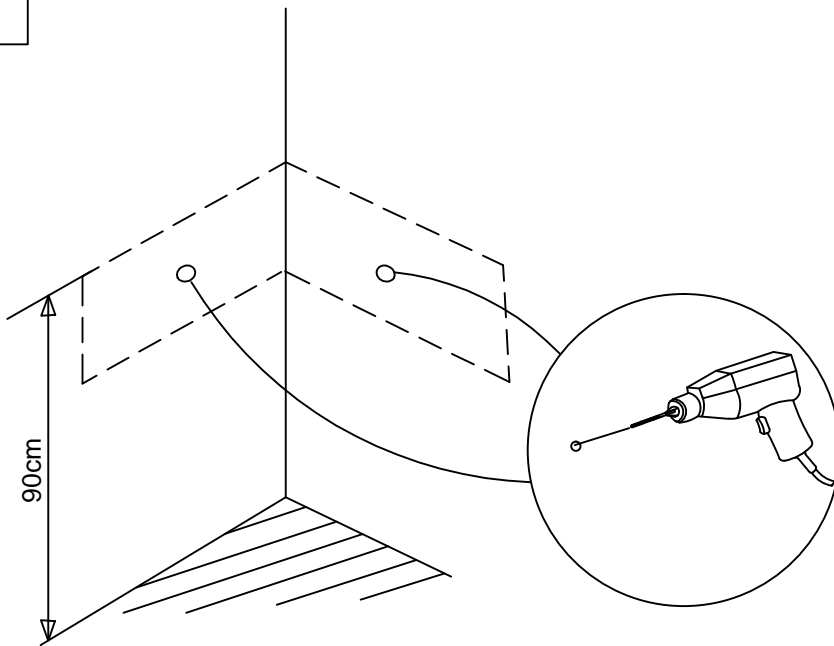
11



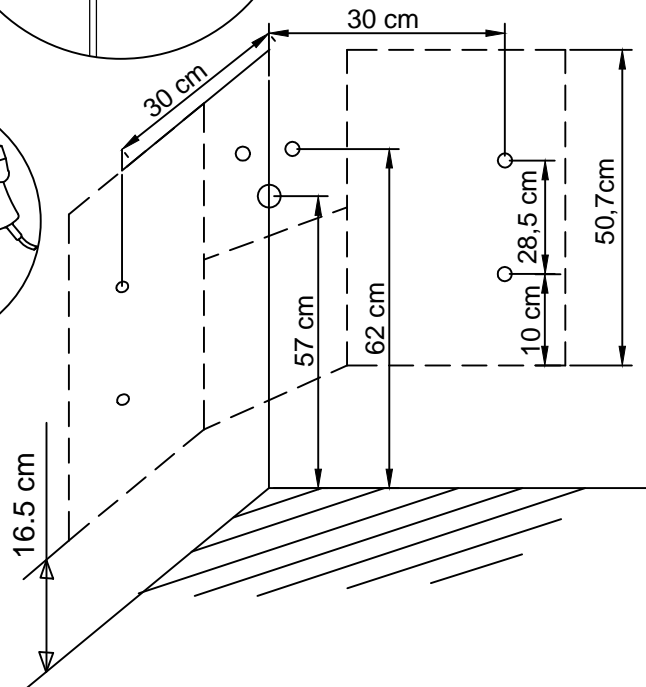
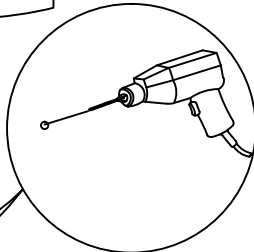
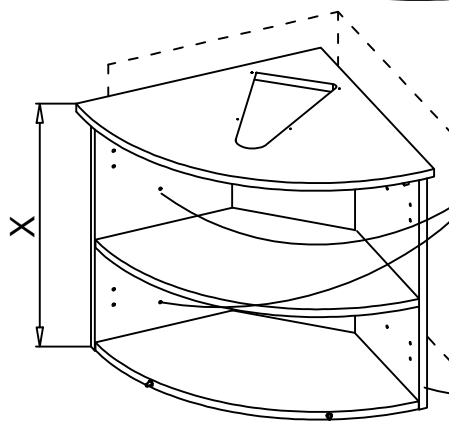
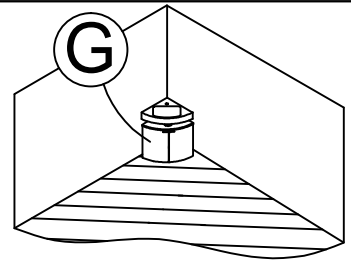
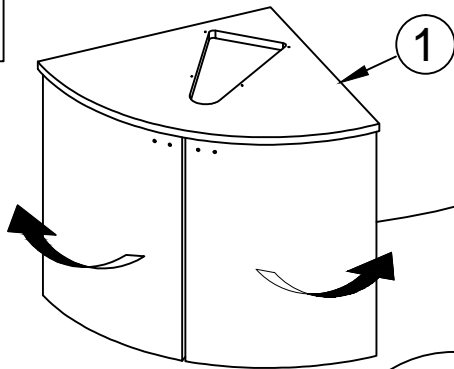
14



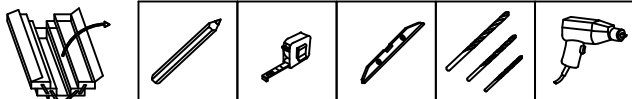
15



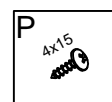
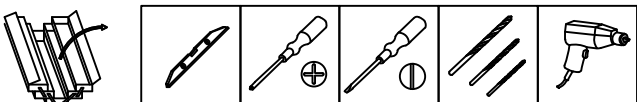
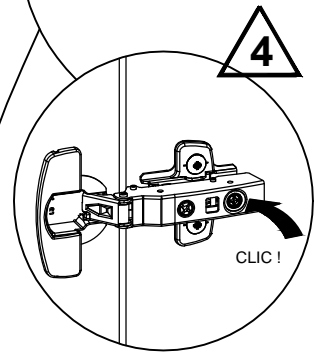
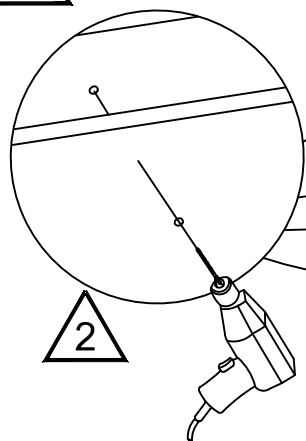
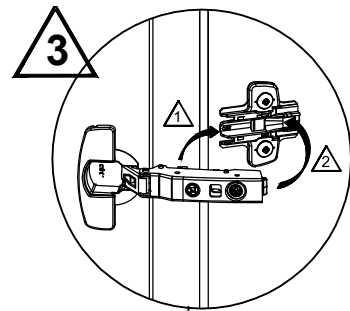
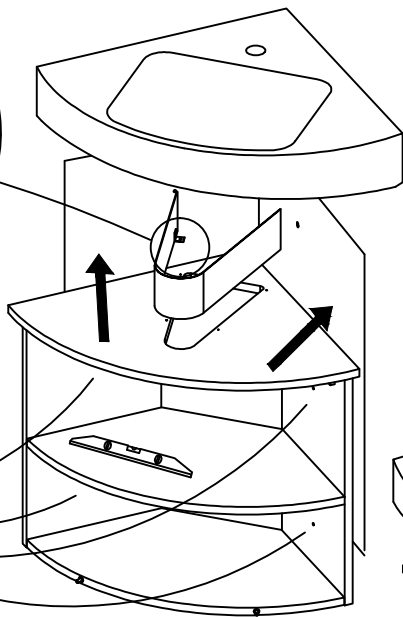
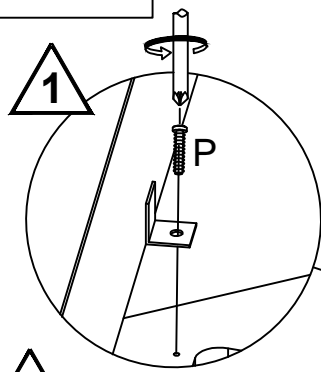
16



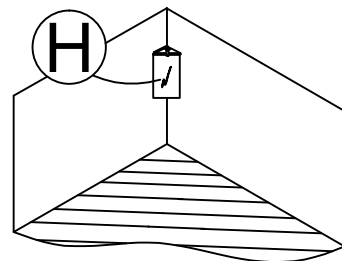
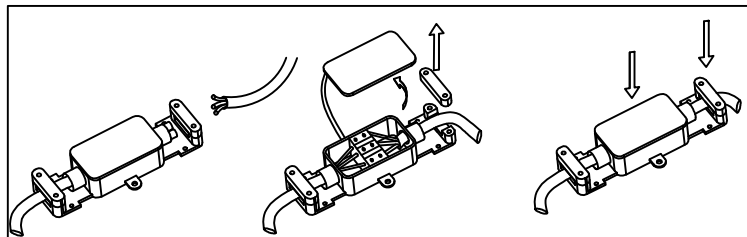
G



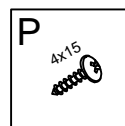
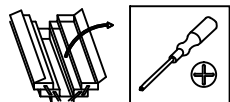
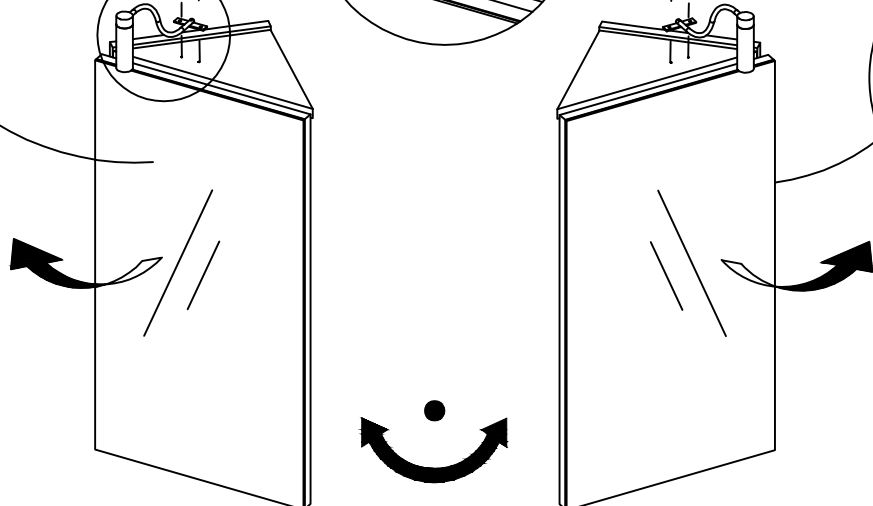
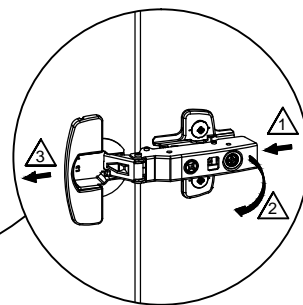
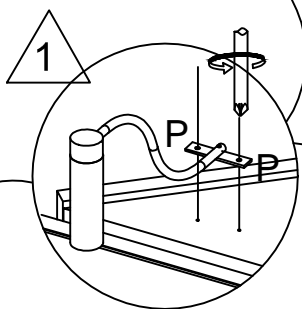
17



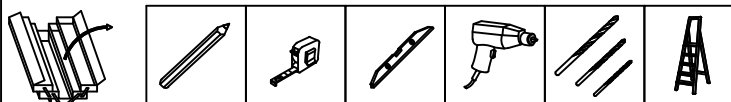
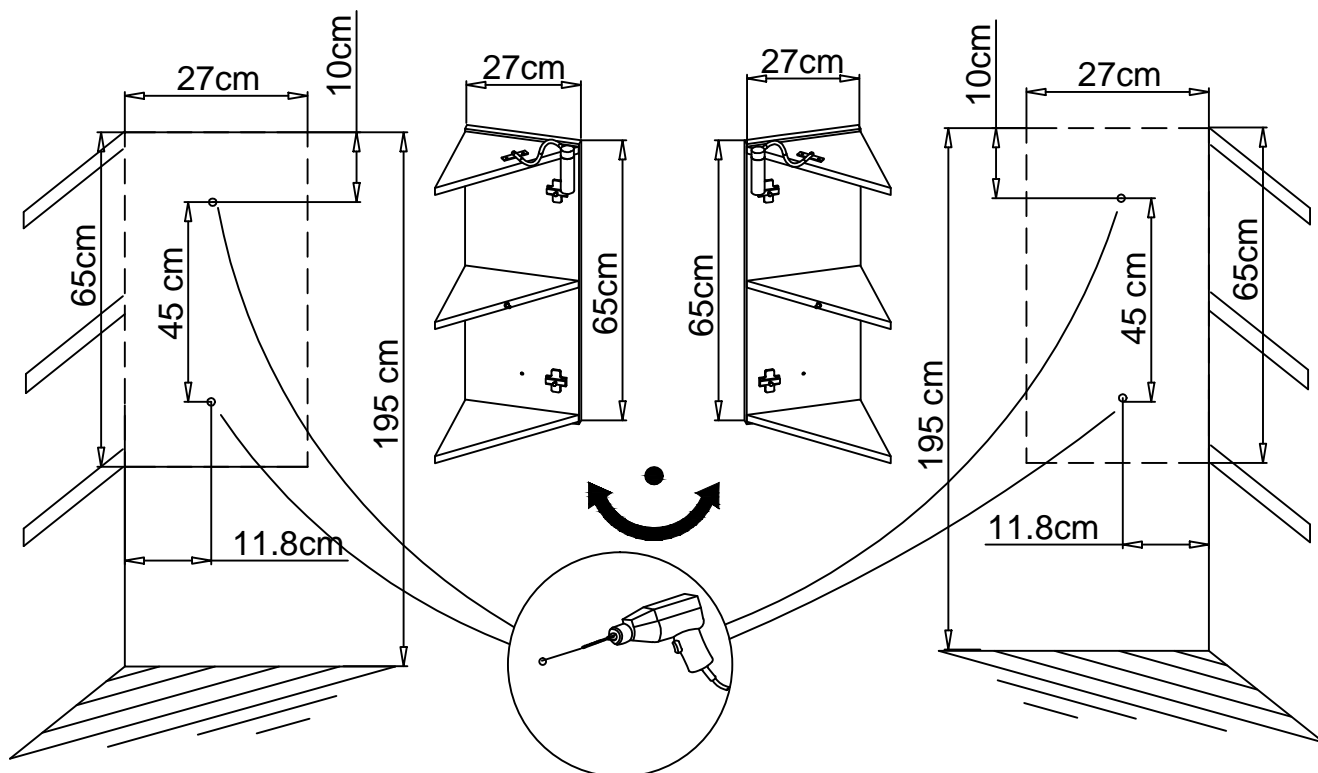
18



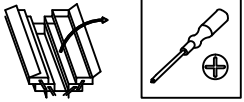
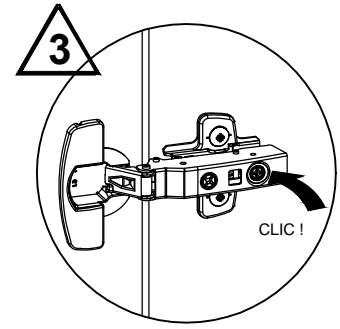
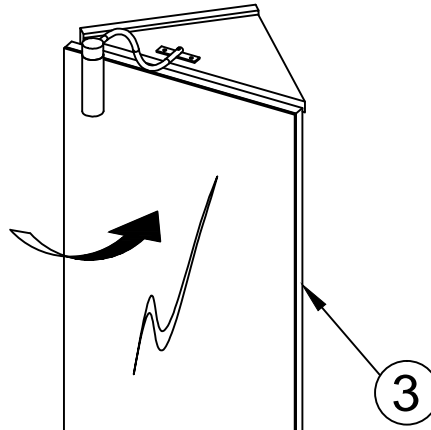
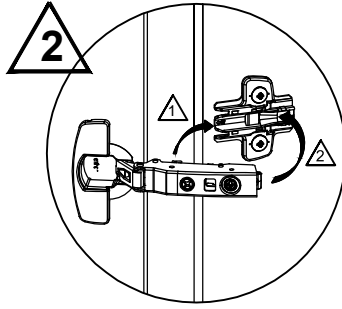
H



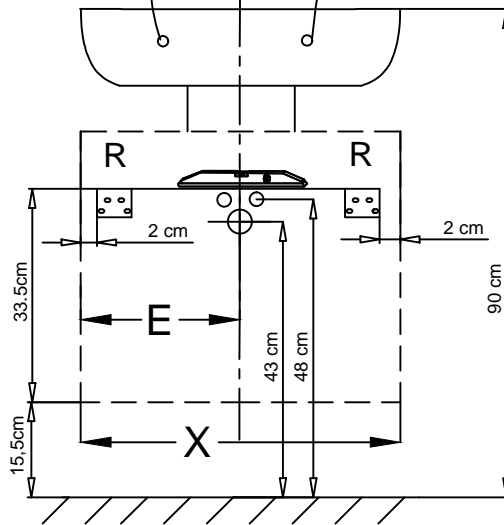
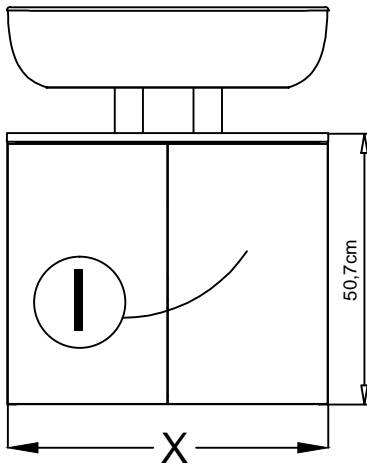
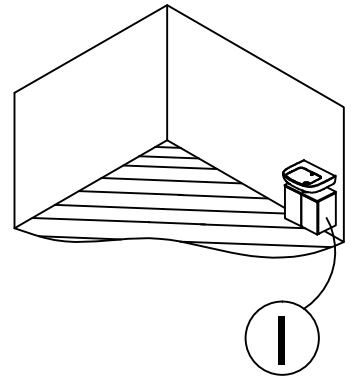
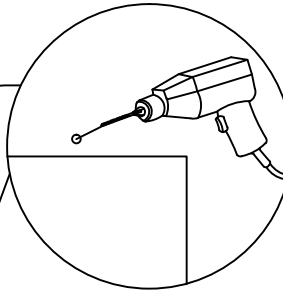
19



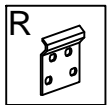
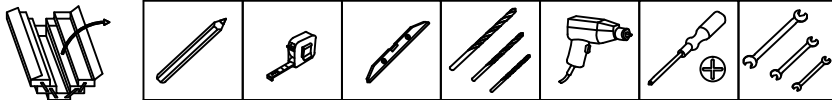
20



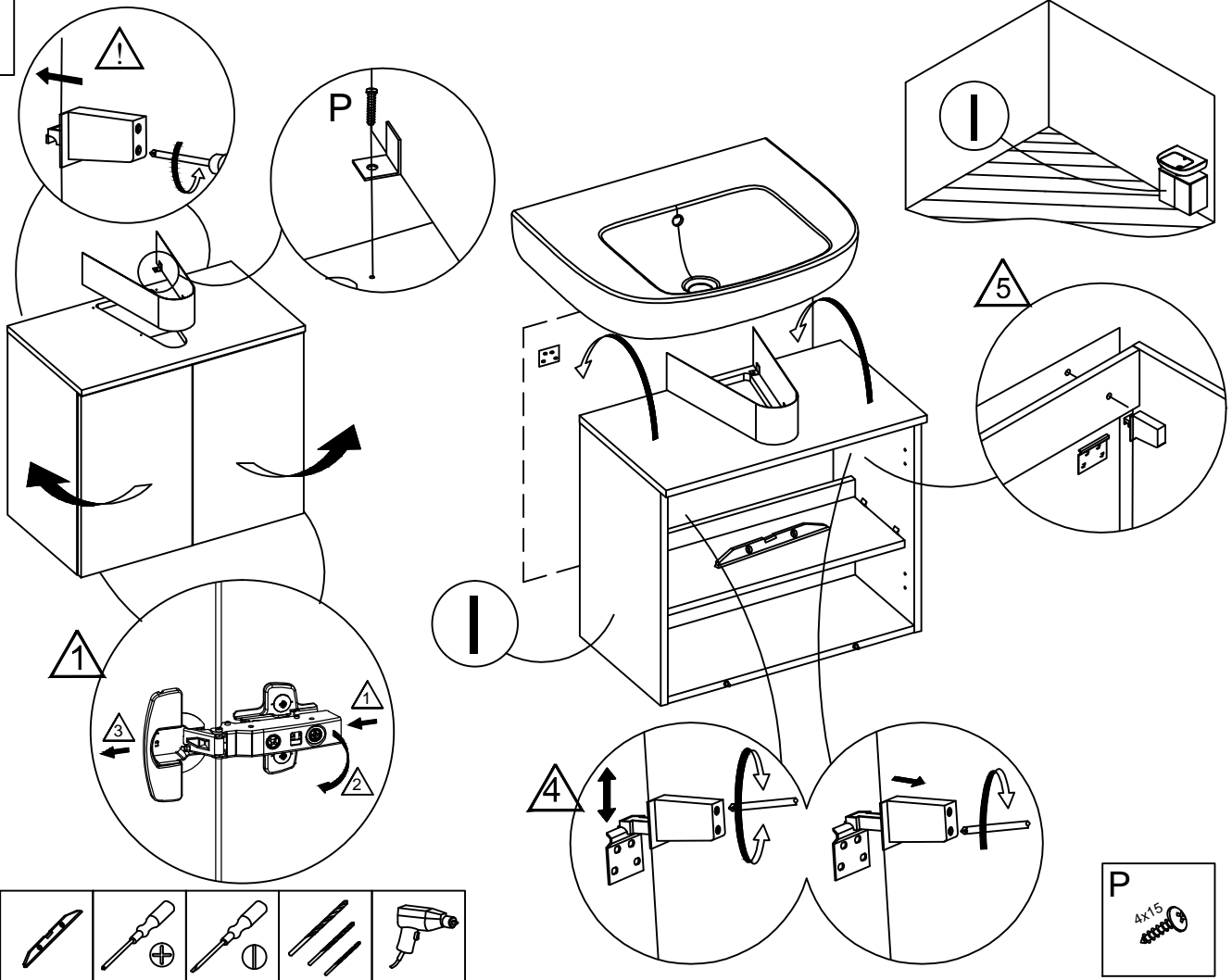
21



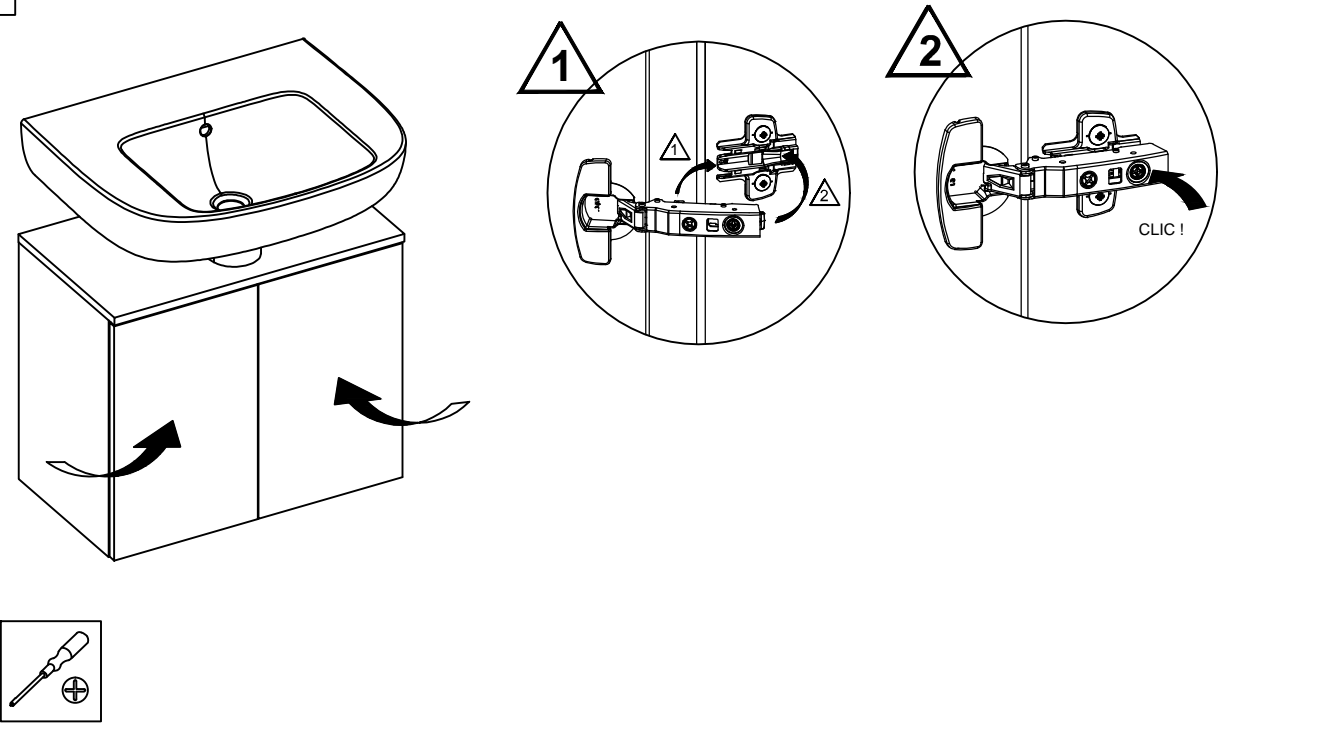
| CODES | X (cm) | E (cm) |
|-------|--------|--------|
| EB865 | 60 | 30 |
| EB885 | 70 | 35 |



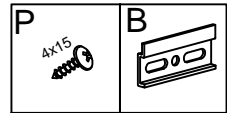
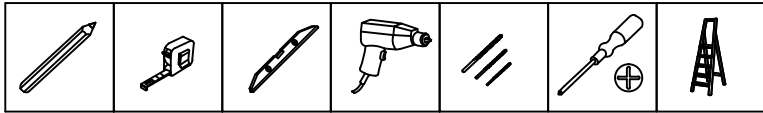
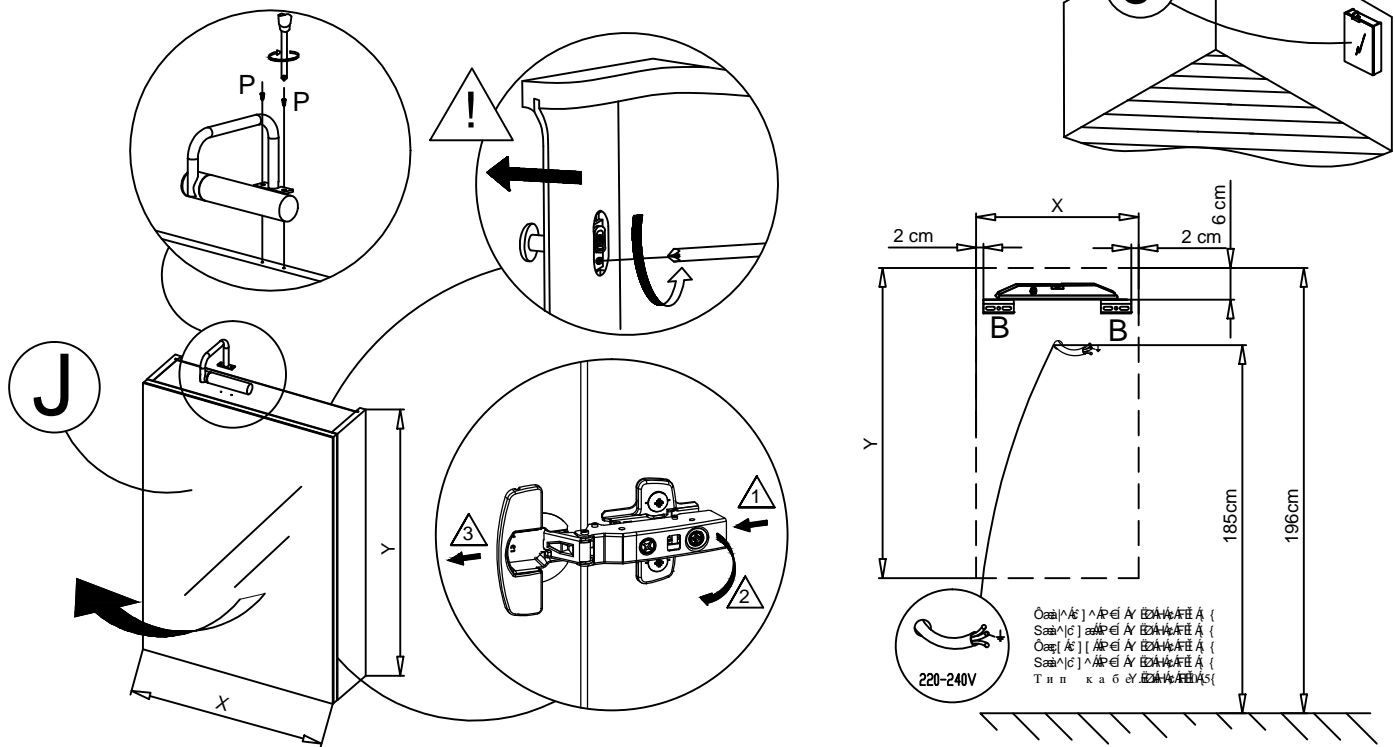
22



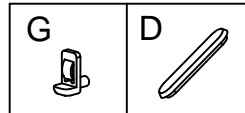
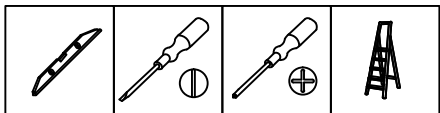
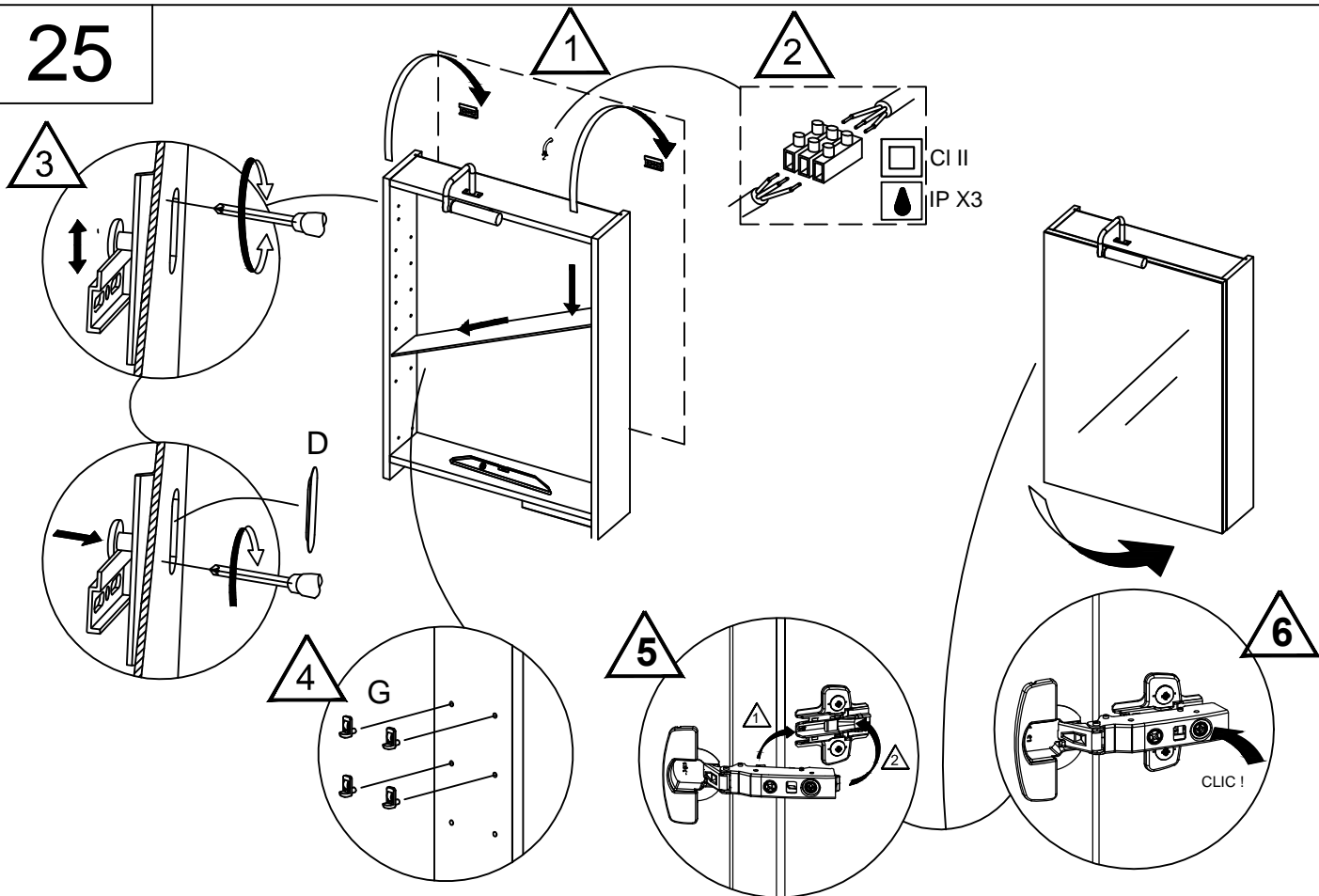
23



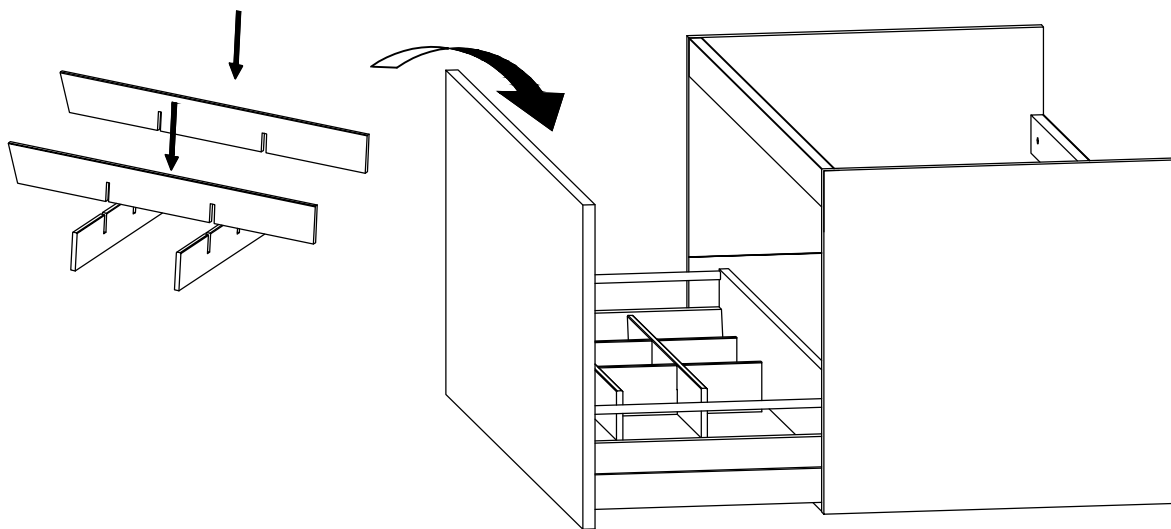
24



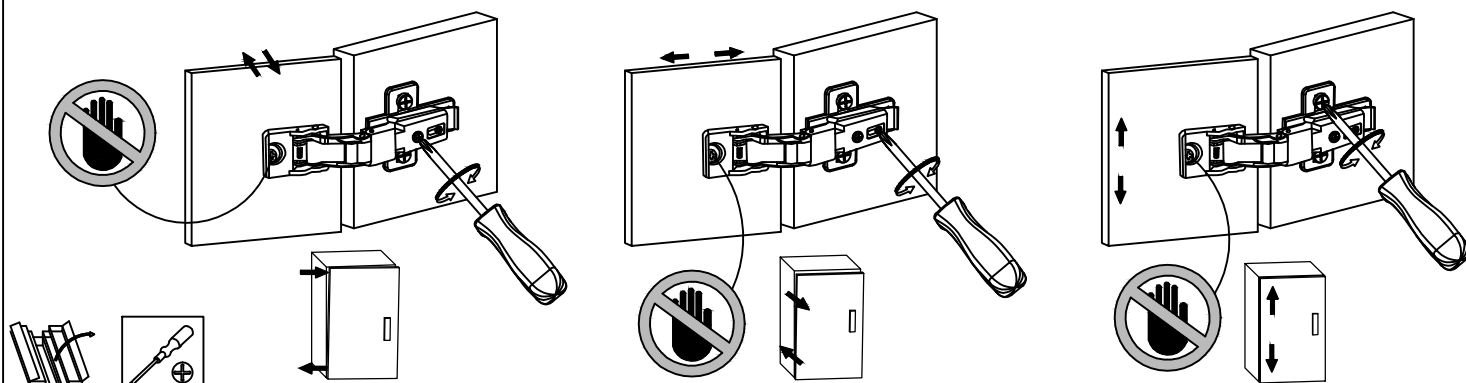
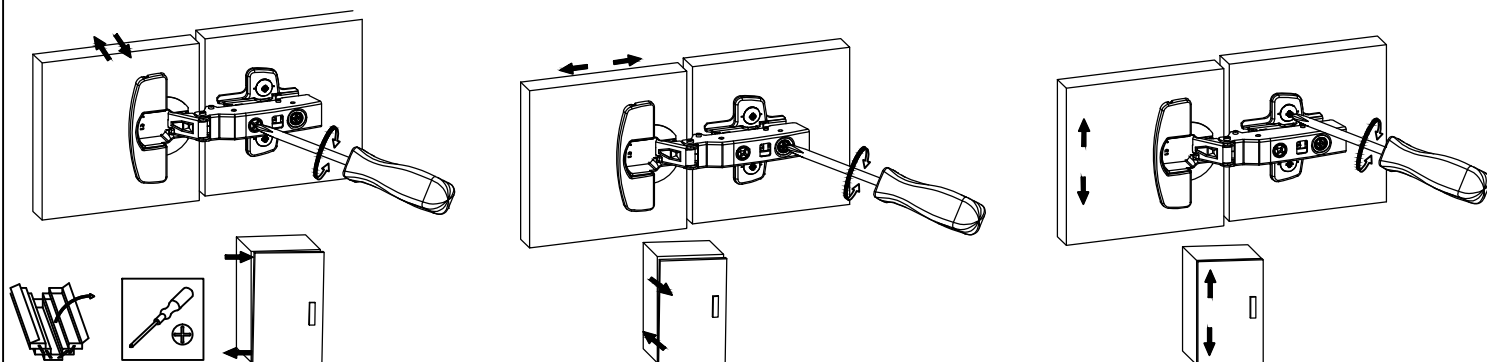
25



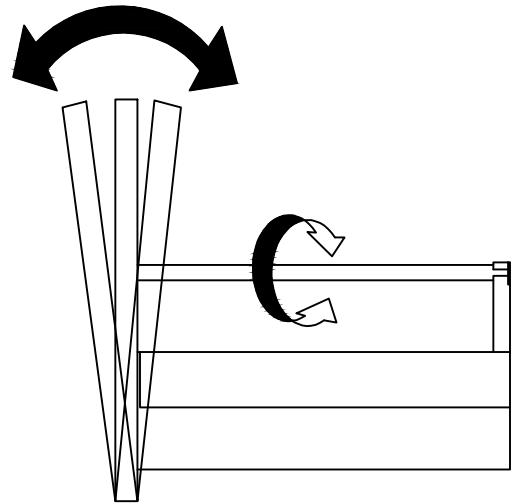
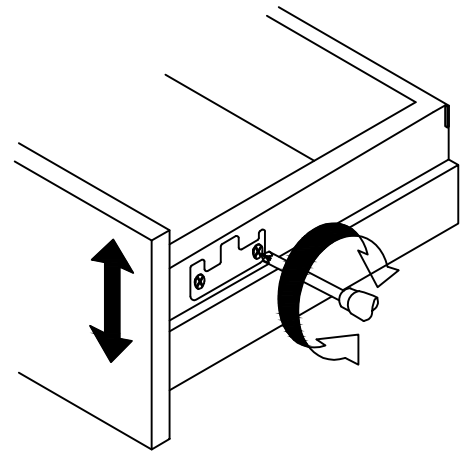
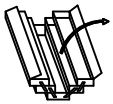
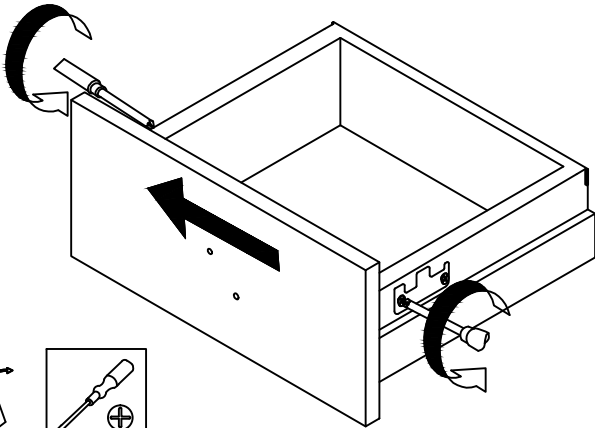
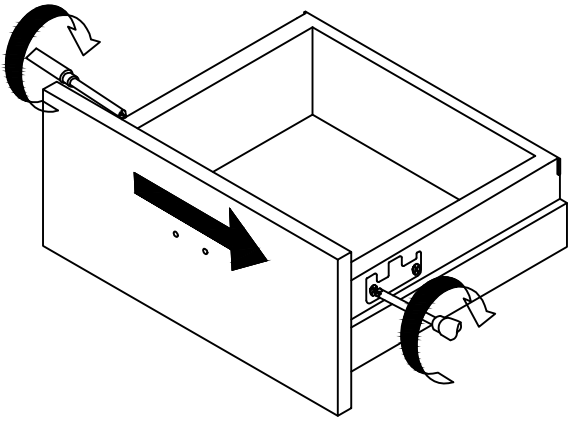
26



27



28



29

