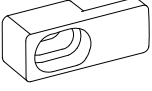
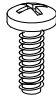
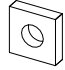
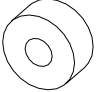
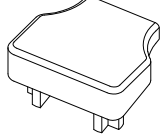
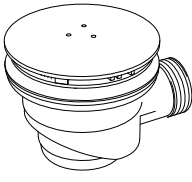

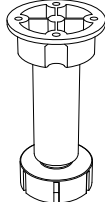
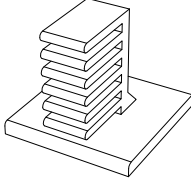
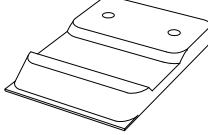
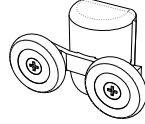

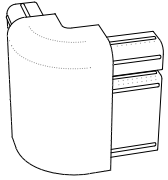
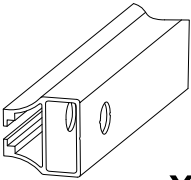
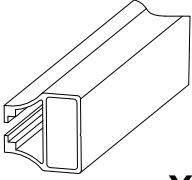

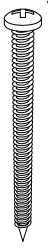
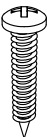


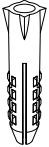
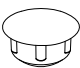
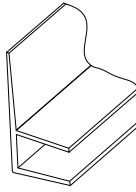
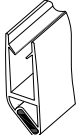

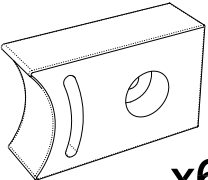
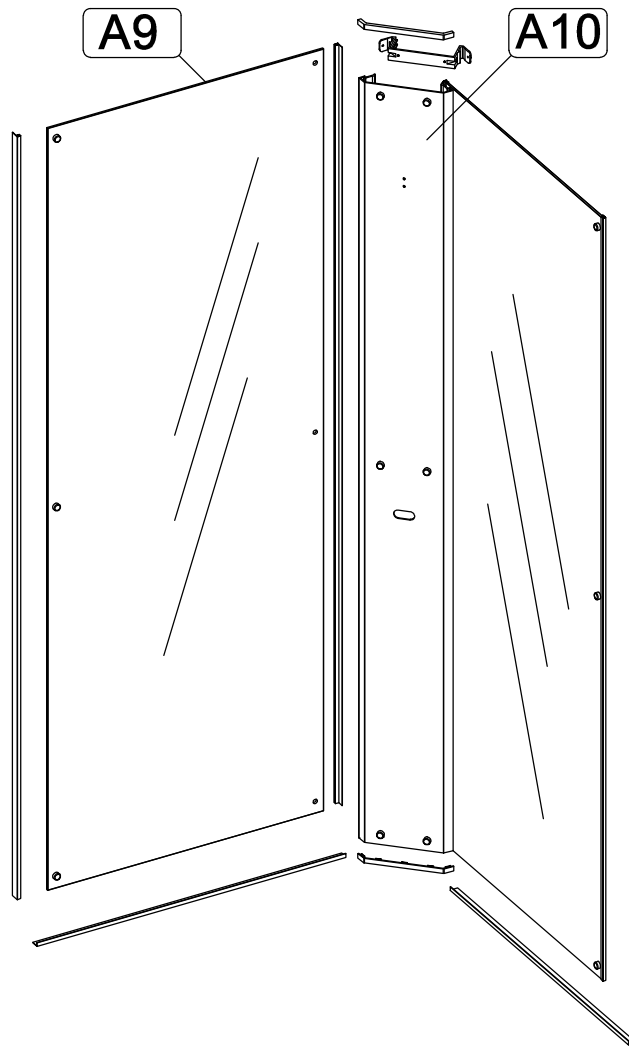
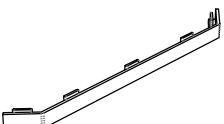
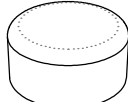
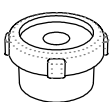
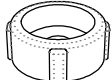
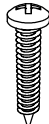
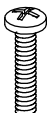

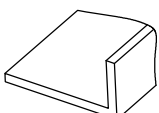
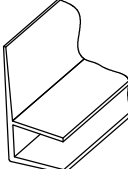
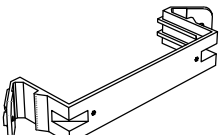
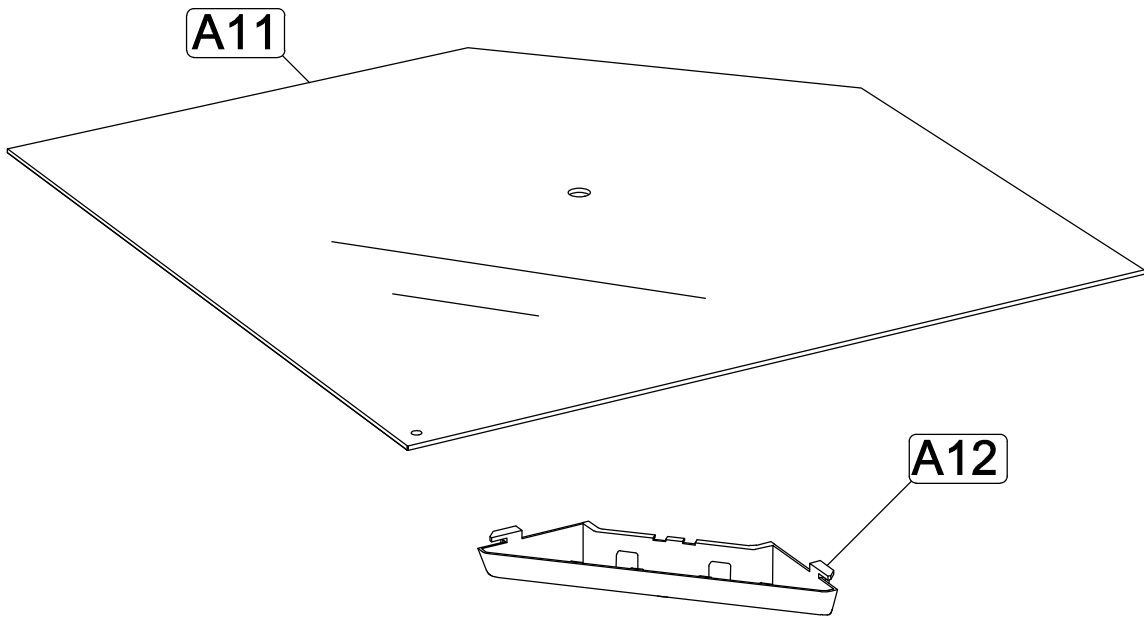


<b>B1</b>  x4				
<b>B2</b> M4x12  x6	<b>B3</b> M4  x6	<b>B4</b>  x6	<b>B5</b>  x8	<b>B6</b>  x1
<b>B7</b>  x1	<b>B8</b>  x5	<b>B9</b>  x2	<b>B10</b>  x4	<b>B11</b>  x4
<b>B12</b>  x4	<b>B13</b>  x2	<b>B15</b>  x2	<b>B16</b>  x2	<b>B17</b> Ø4  x1
<b>B18</b> 3.5x50  x2	<b>B19</b> 3.5x20  x11	<b>B20</b> 3.5x19  x28	<b>B21</b> 3.5x12  x12	<b>B22</b> 6x50  x2
<b>B23</b>  x16	<b>B24</b>  x4	<b>B25</b>  x2	<b>B26</b>  x2	<b>B27</b>  x6

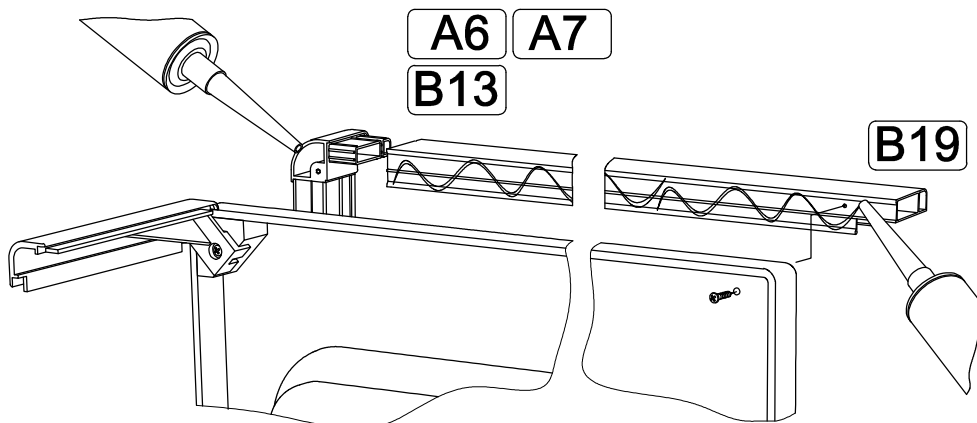
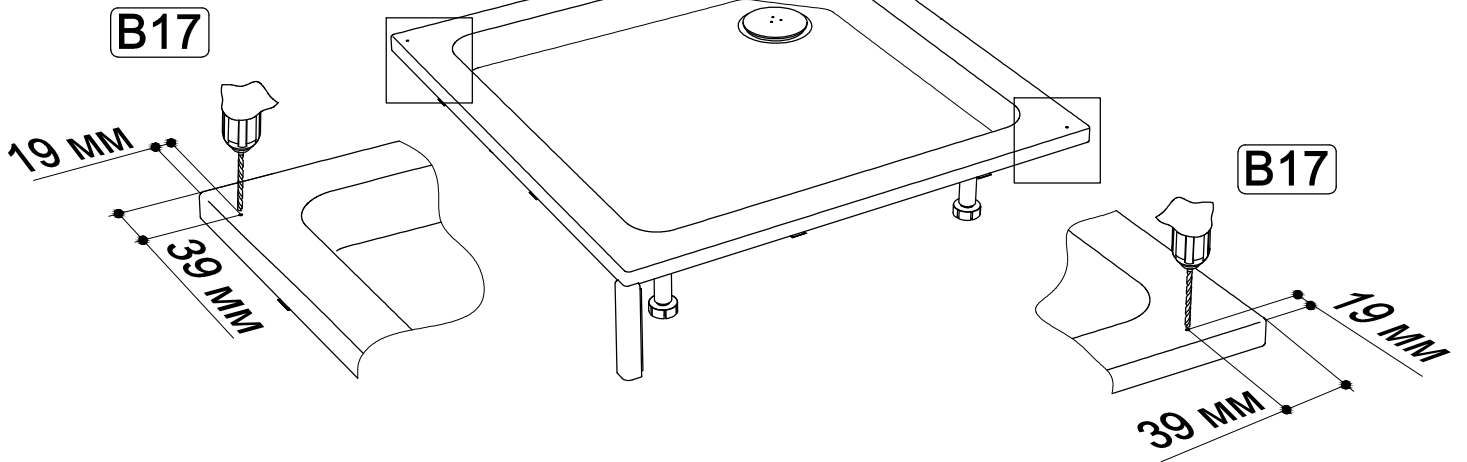
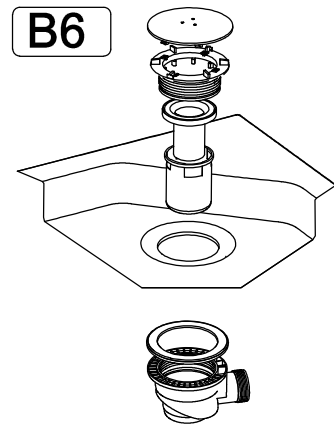
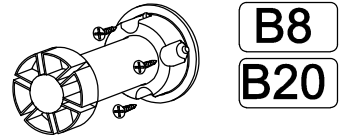
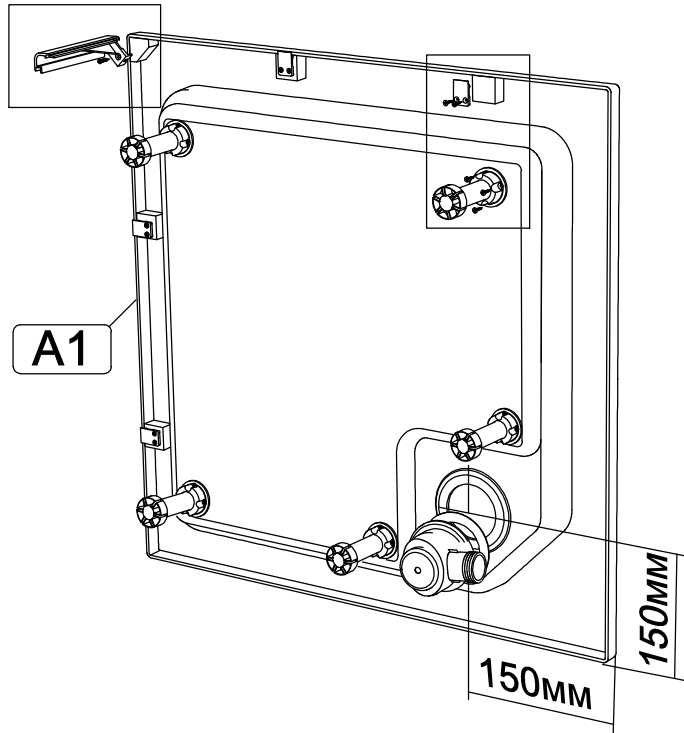
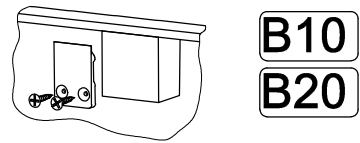
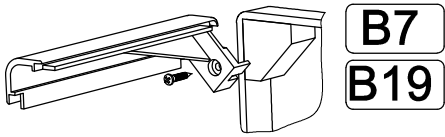


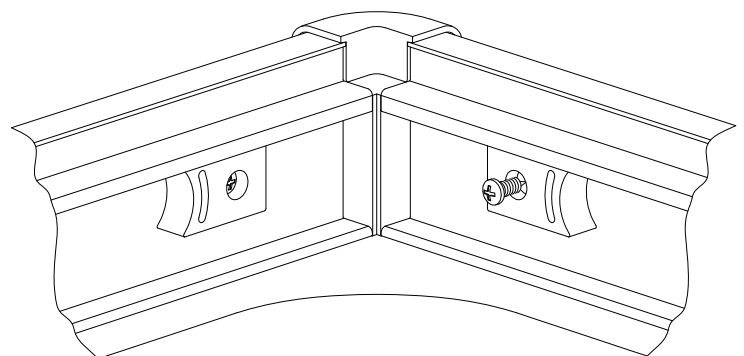
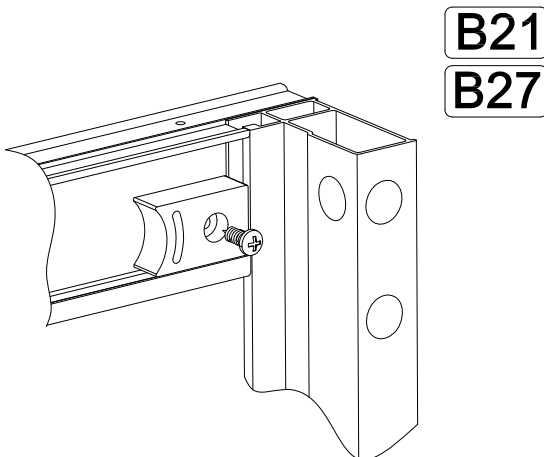
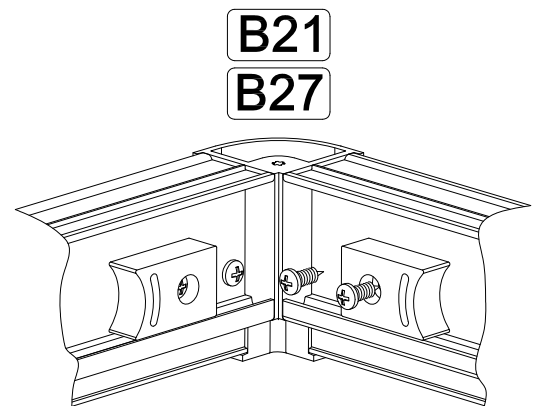
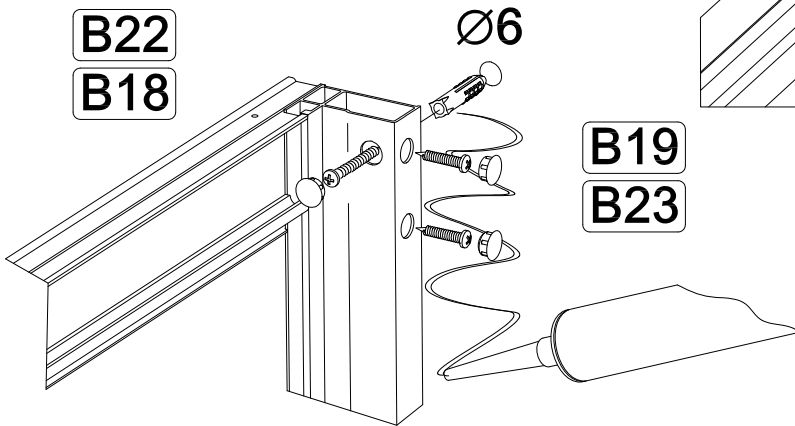
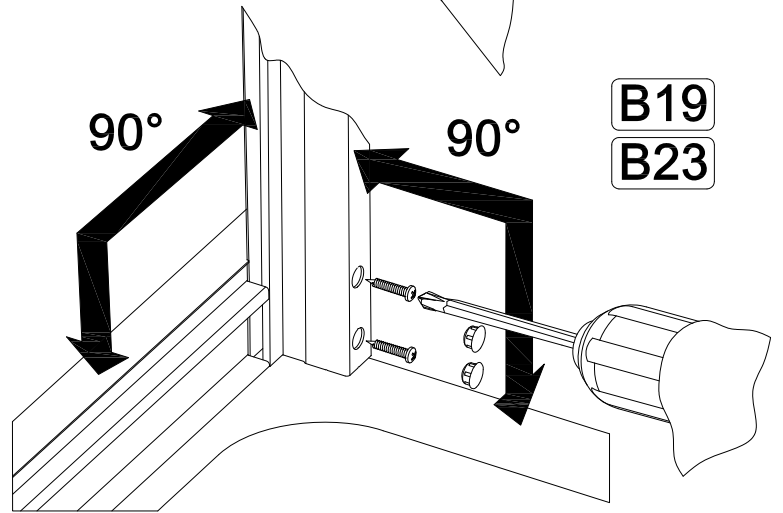
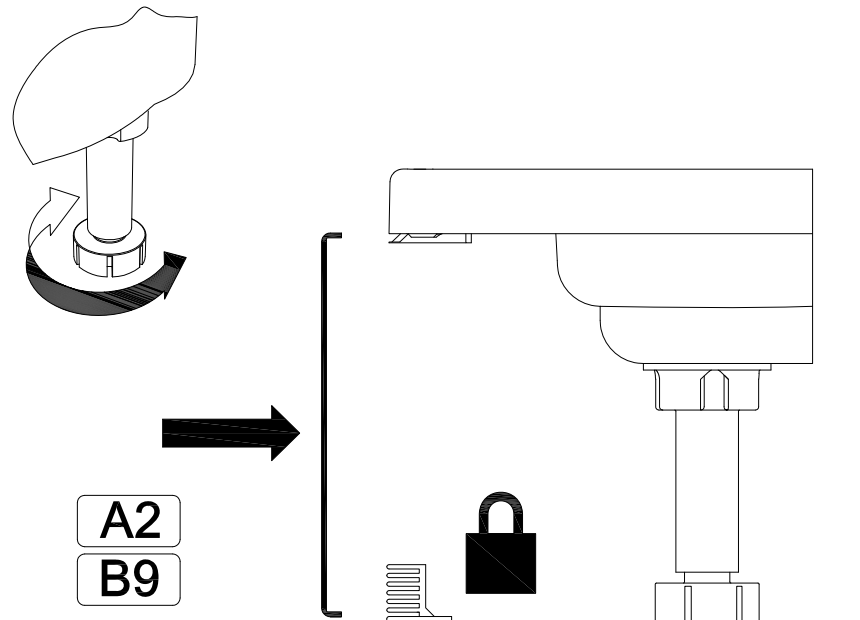
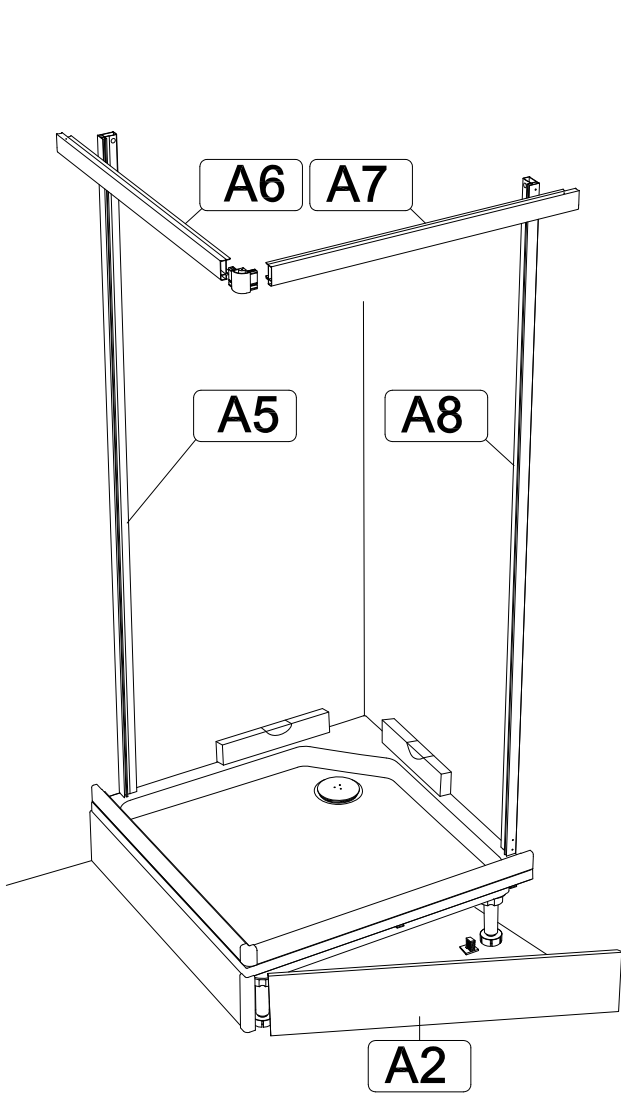
<b>B28</b>  x2	<b>B29</b>  x12	<b>B30</b>  x7	<b>B31</b>  x6	<b>B32</b> 3.5x20  x13
<b>B33</b> 3.5x15  x6	<b>B34</b> M3.5  x6	<b>B35</b> L=813  x2	<b>B36</b>  x4	<b>B37</b>  x3



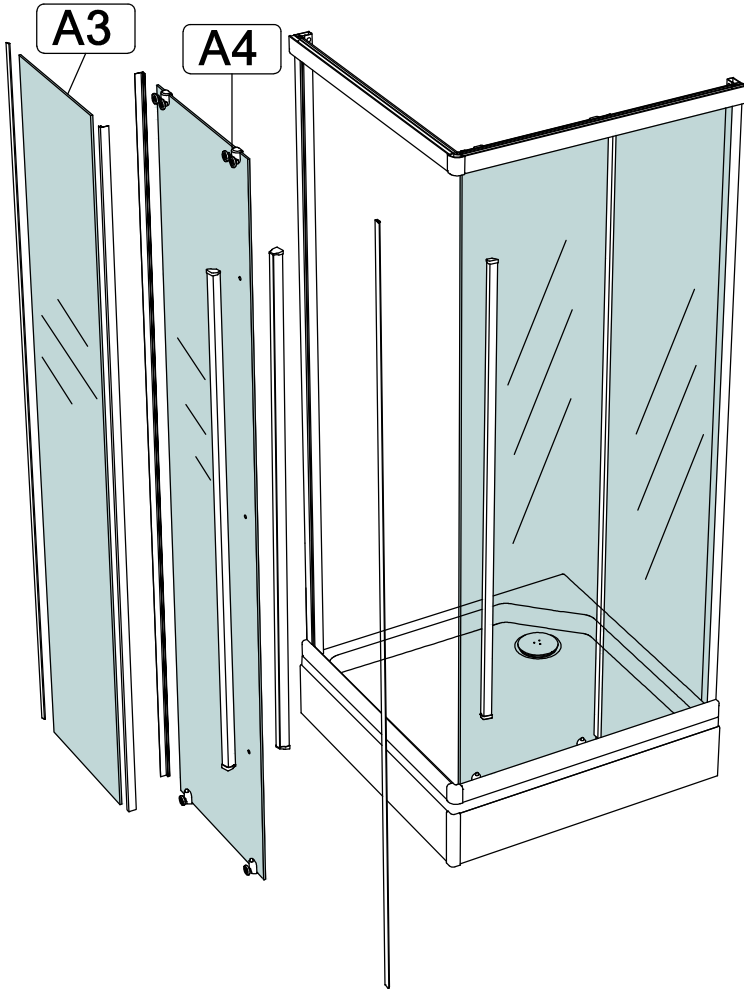
A11

A12

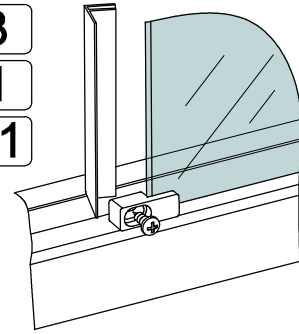




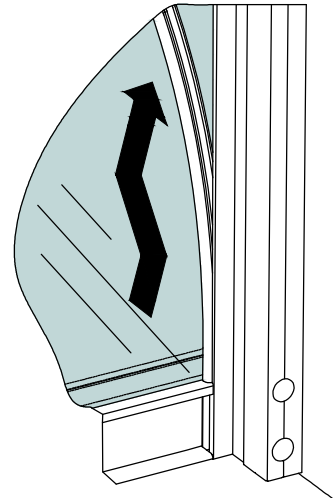
**B24** ✂ L=1906



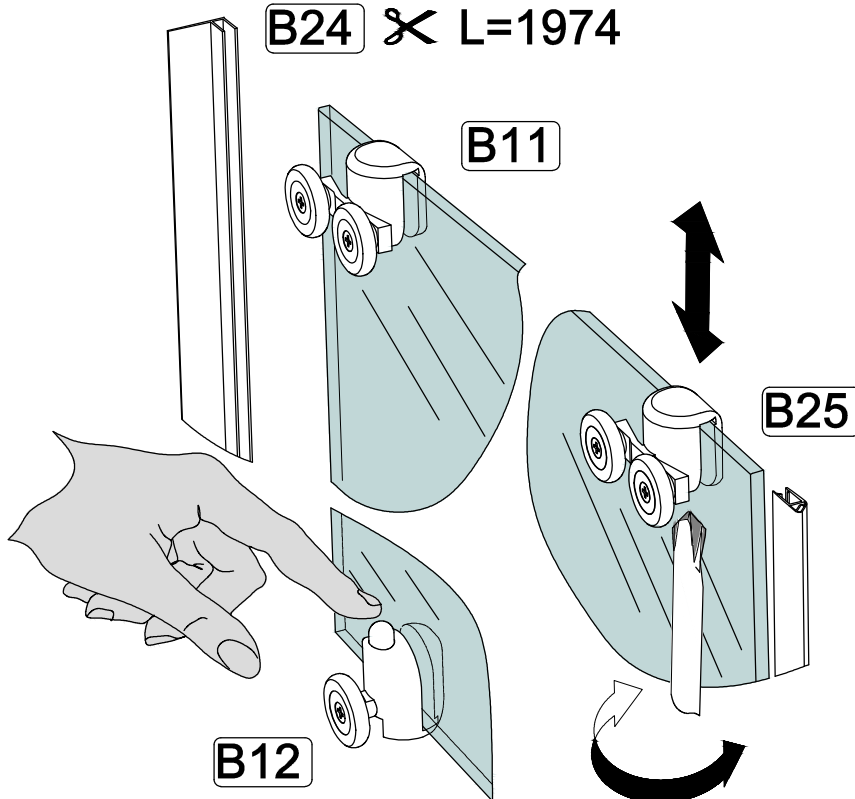
**A3**  
**B1**  
**B21**



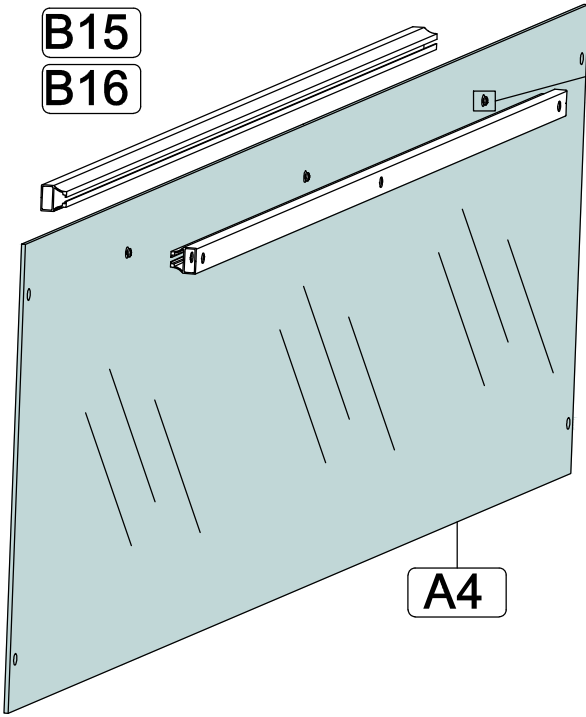
**B26**



**B24** ✂ L=1974

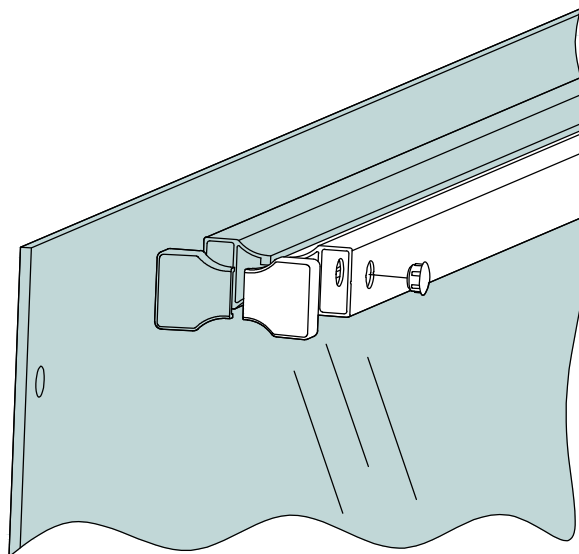
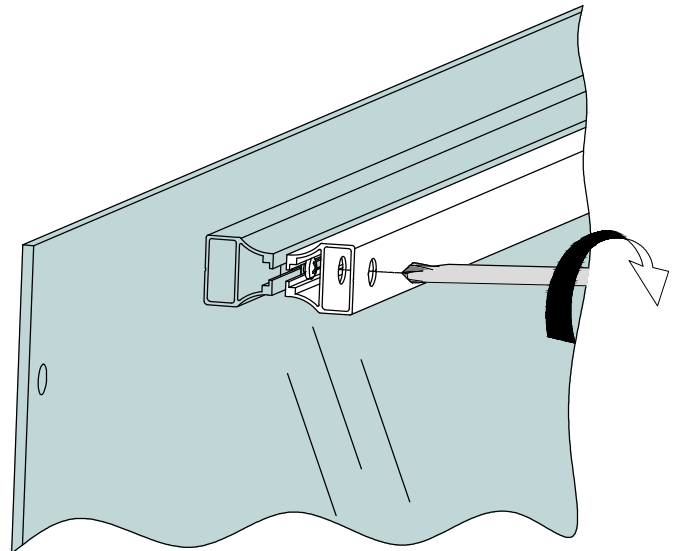
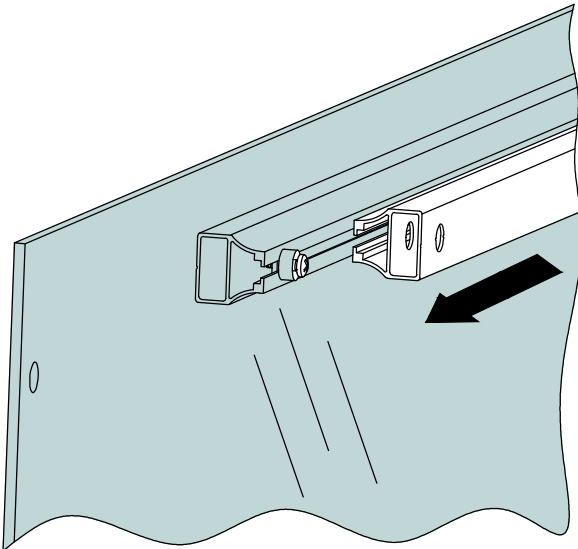
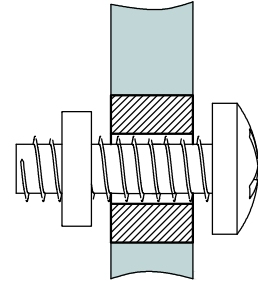
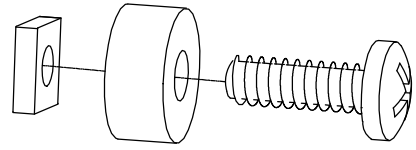


B15  
B16



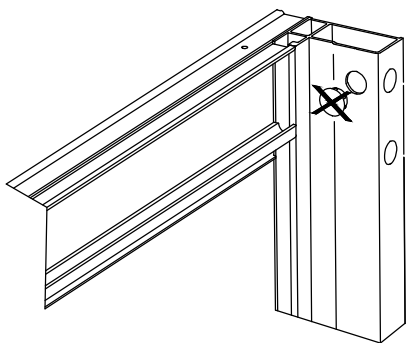
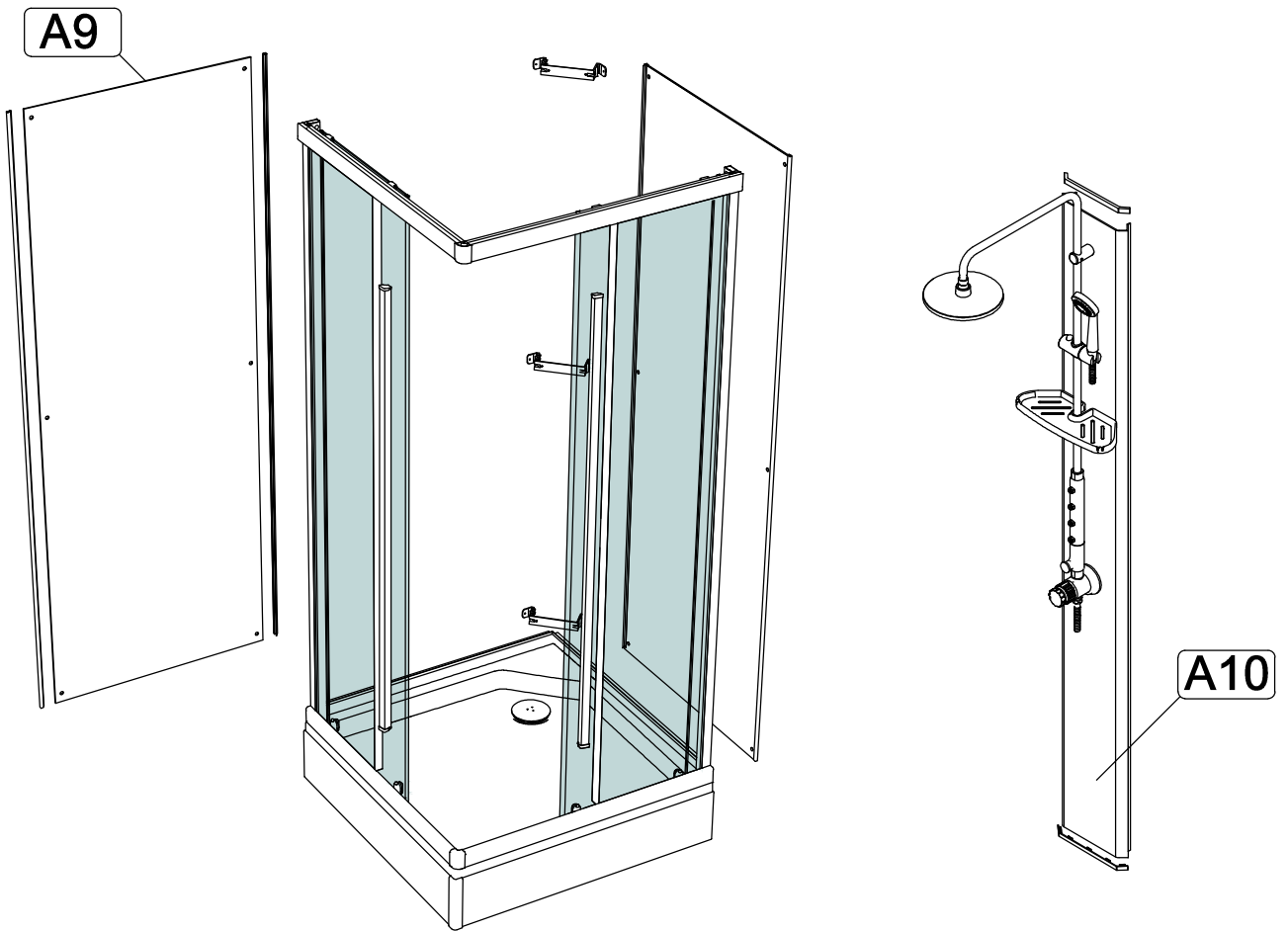
A4

B2 B3 B4

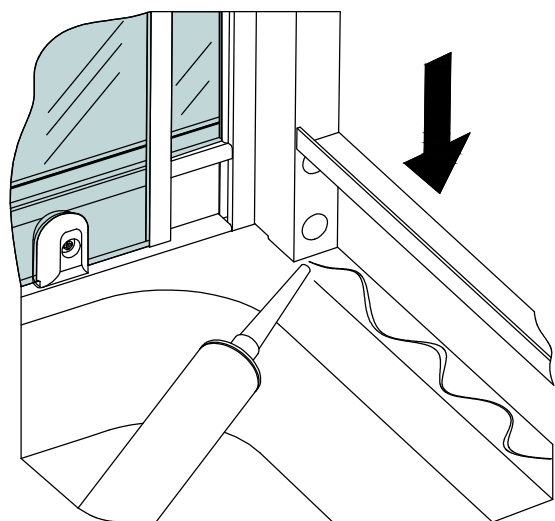


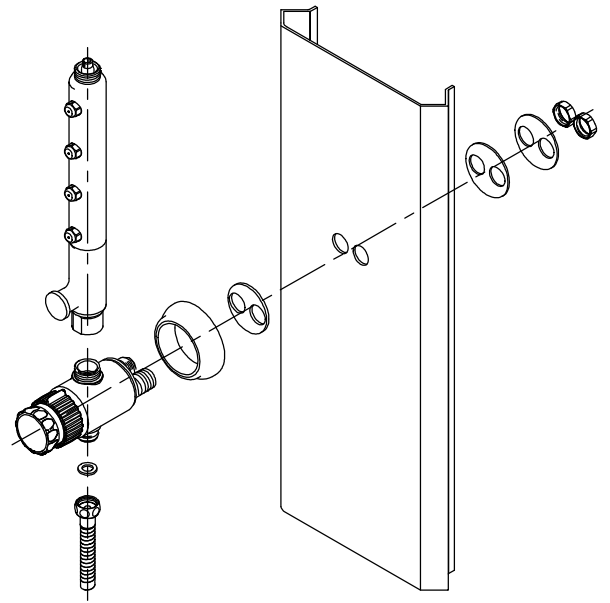
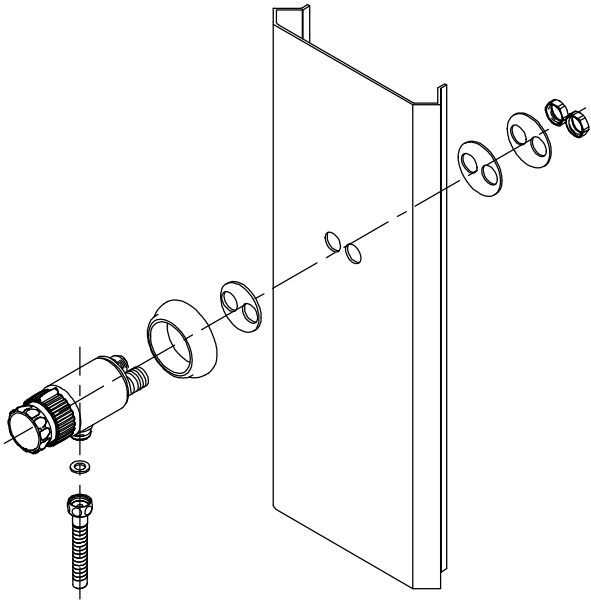
B5  
B23





B35

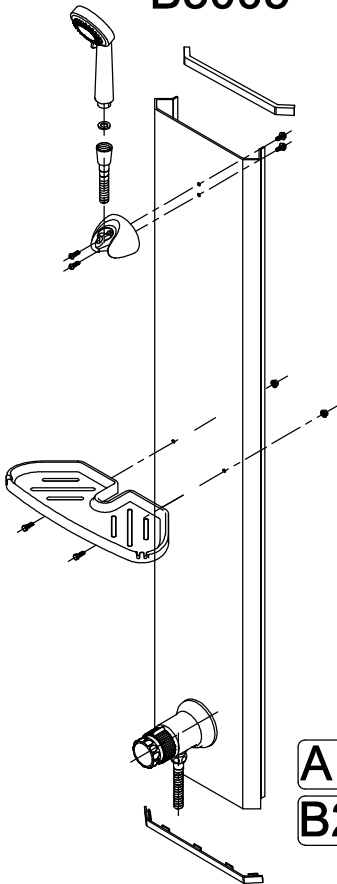




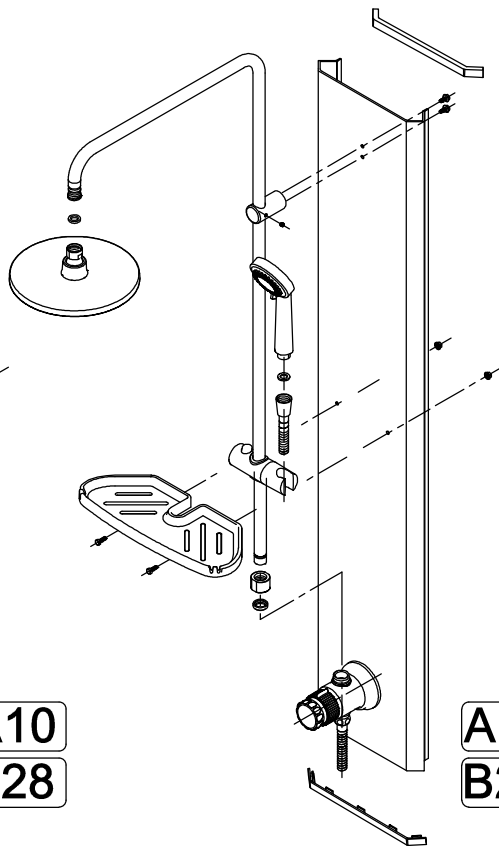
**ЭКО  
B3005**

**СТАНДАРТ  
B2005**

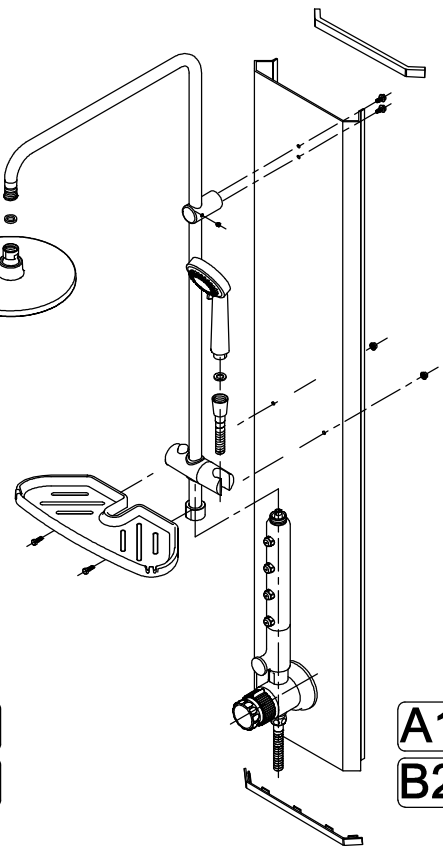
**ЛЮКС  
B2005M**



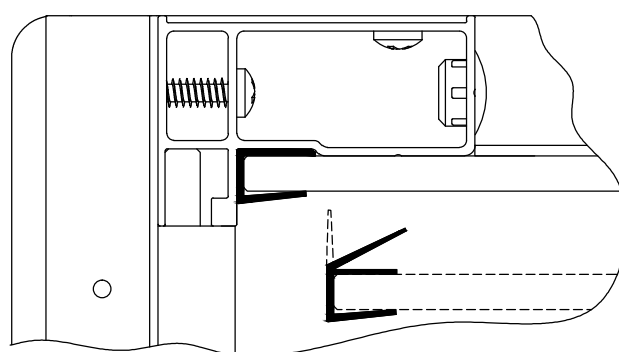
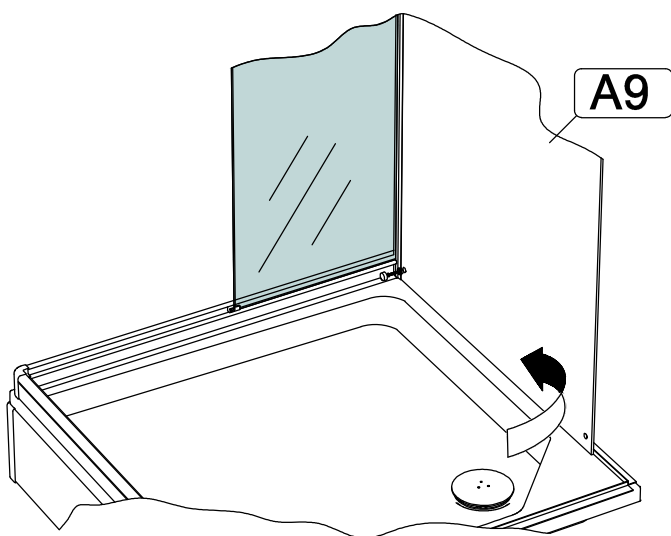
**A10  
B28**



**A10  
B28**

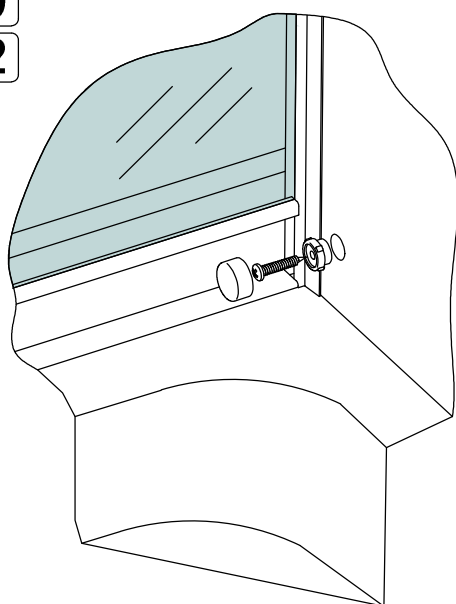


**A10  
B28**

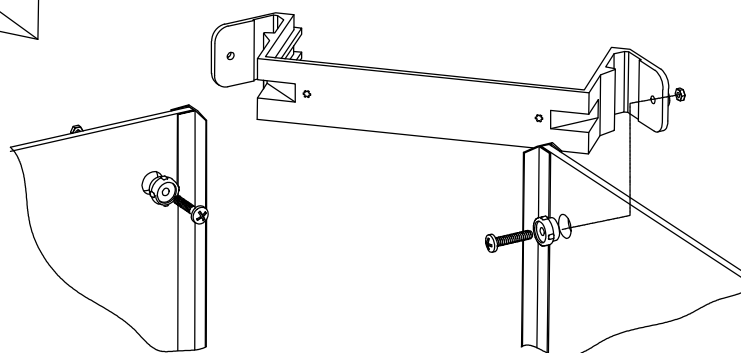


B29  
B30  
B32

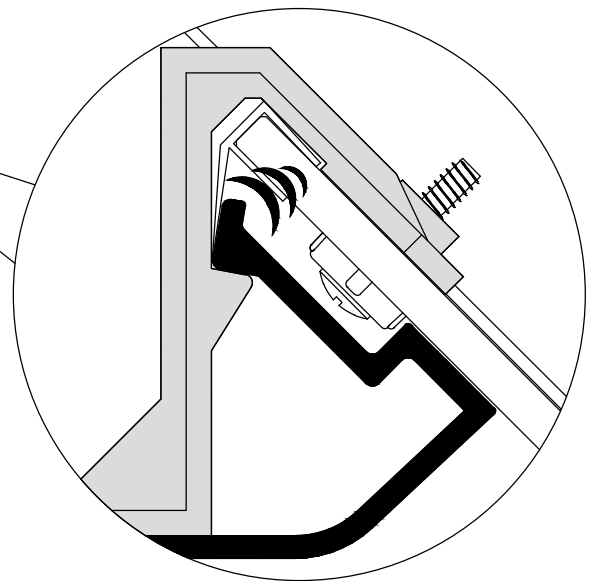
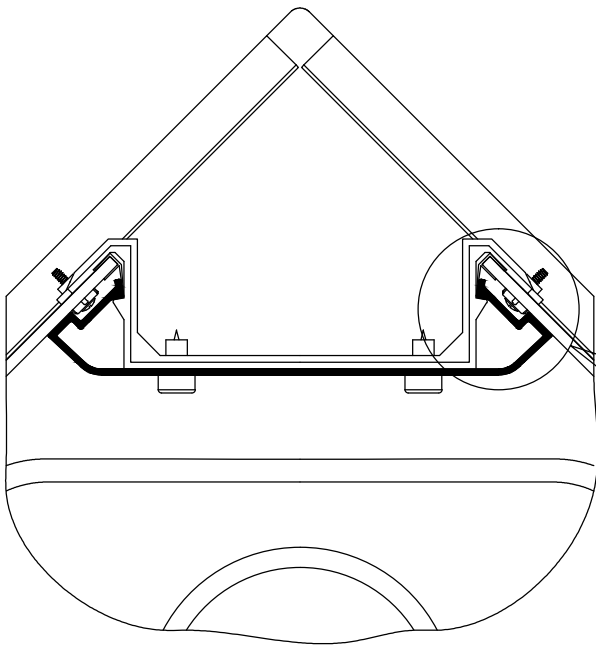
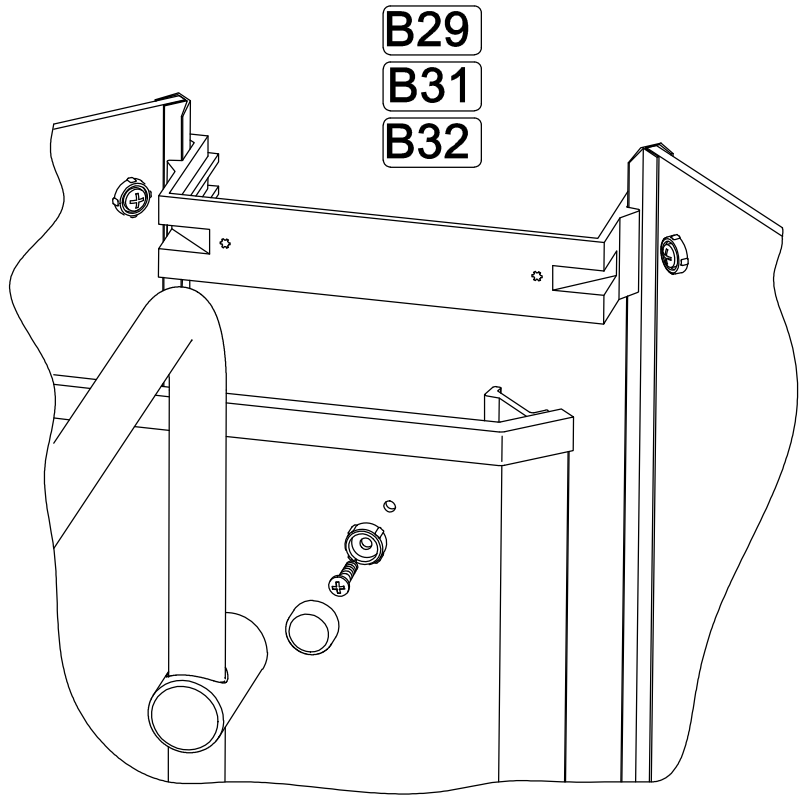
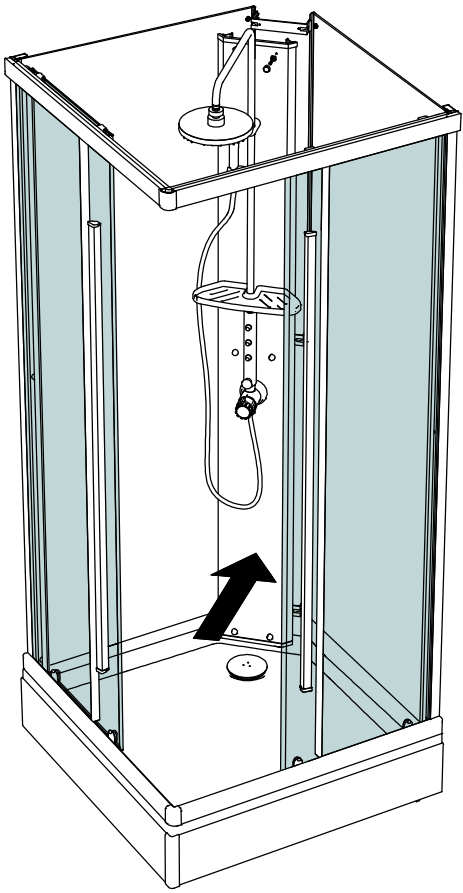
B36 ✂ L=2010

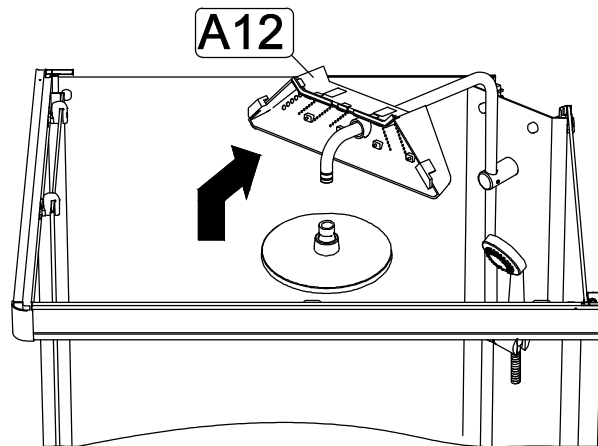
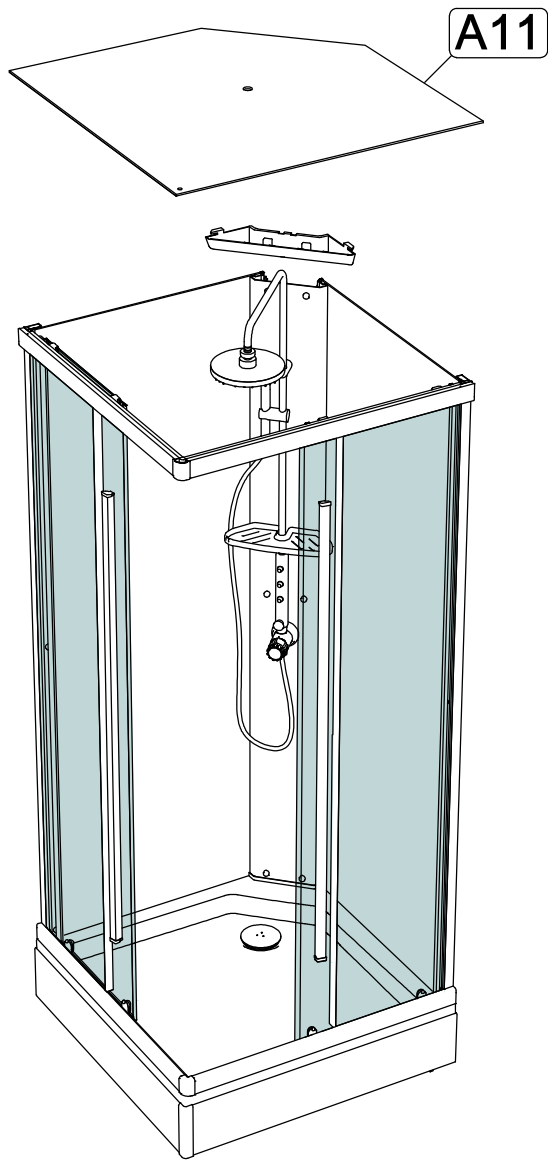


B37  
B30  
B33  
B34



B36 ✂ L=1998





B30  
B32

